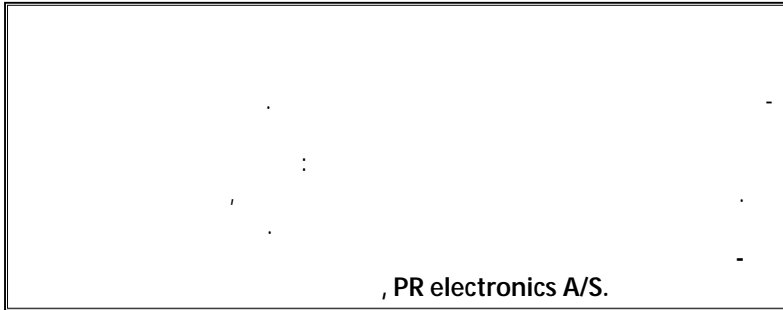
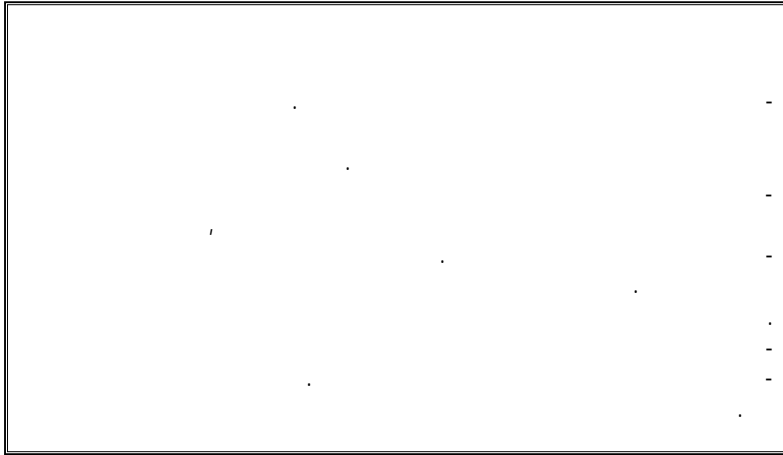


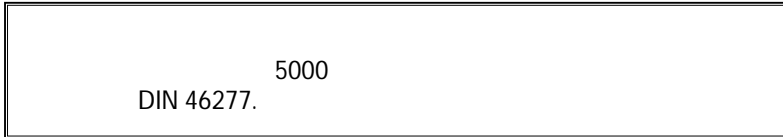


**PREasy 4114**

	.....	2
	.....	3
	.....	3
	EC .....	5
	4000.....	6
	/ .....	6
	AO.ER.....	6
	.....	7
	.....	7
	.....	7
PR 4501-	.....	8
	.....	9
	.....	10
	.....	10
	4501 .....	13
	.....	14
	.....	14
	.....	15
	.....	16
	/ .....	17
	.....	20
	(ADV.SET).....	22
3	.....	23



, PR electronics A/S.



DIN 46277. 5000



PR 4501. DIP-



CE

75...1500 V

50...1000 V

( ) II, 1, II, / :

PR electronics A/S, Lerbakken 10, 8410 Rønede,  
Danmark, tlf: +45 86 37 26 77.

PR electronics A/S  
Lerbakken 10  
DK-8410 Rønede

10 A.

: 4114

(  
2-

UL

2004/108/EC  
EN 61326-1

60/75°C

2

..... 60°C

..... AWG 26-14

..... E231911

UL-

2006/95/

EN 61010-1

Rønede, 11

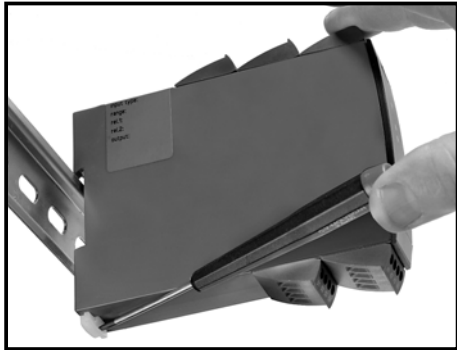
2008 .



Peter Rasmussen

PR electronics A/S,

4000



.1:

DIN,

### PReasy 4114

- Вход RTD, терморпары, Ohm, потенциометра, mA и V
- 2-проводная схема подключения > 16 V
- Одобрение типа FM для устройств в зонах Div. 2
- Выход тока и напряжения
- Универсальное вспомогательное напряжение AC / DC

PR 4114

4...20 mA

AO.ER:

0,

11 12.

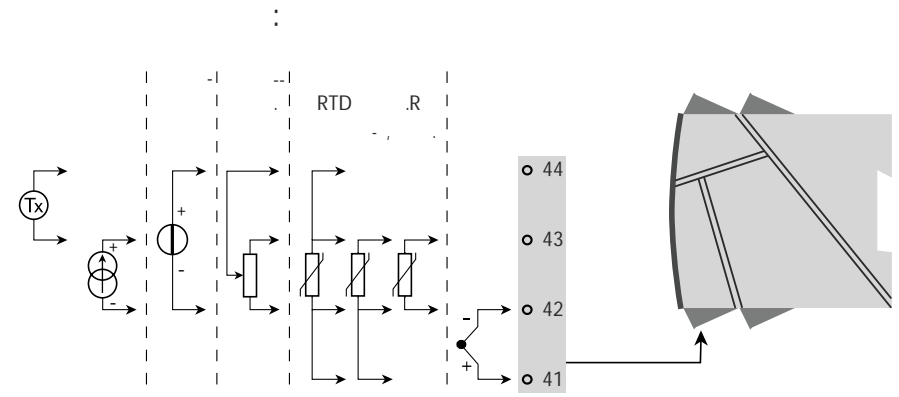
- (4501),
- 
- 
- 
- 
- PR 4114
- SIL 2.
- 
- / /
- 
- 3 , 2,3 kVAC.

# PR 4501

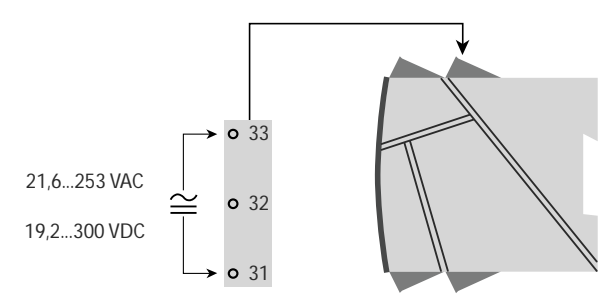
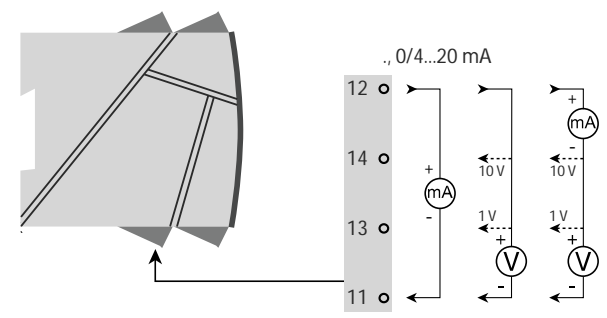


PReasy

## Схемы применения



- ( - )
- 4114
- 4114,
- 4- ; 1 ( 5,57 )
- 2 ( 3,33 )
- 3 ( 3,33 )
- - UNIT,
- TAG, 4



4114.

4114 =  
4501 =

-20 +60°C

21,6...253 VAC, 50...60 Hz  
19,2...300 VDC  
≤ 2,0 W  
400 mA T / 250 VAC  
2,3 kVAC / 250 VAC  
60 dB (0...100 kHz)  
(0...90%, 100...10%):  
≤ 1  
mA- / V..... ≤ 400  
20...28°C

4501

	≤ ±0,1%	≤ ±0,01% / °C

mA	≤ ±4 μA	≤ ±0,4 μA / °C
Volt	≤ ±20 μV	≤ ±2 μV / °C
Pt100	≤ ±0,2°C	≤ ±0,01°C / °C
. R	≤ ±0,1 Ω	≤ ±0,01 Ω / °C
	≤ ±0,1 Ω	≤ ±0,01 Ω / °C
E, J, K, L, N, T, U	≤ ±1°C	≤ ±0,05°C / °C
: B, R, S, W3, W5, LR	≤ ±2°C	≤ ±0,2°C / °C

	..... < ±0,5%
NAMUR NE 21,	A .. < ±1%

2- ( 44...43)... 25...16 VDC / 0...20 mA  
1 x 2,5<sup>2</sup>  
0,5 Nm  
< 95% ( )  
( x x )..... 109 x 23,5 x 104  
( x x )..... 109 x 23,5 x 116  
IP20  
145 / 160 4501

RTD,

Pt100 Ni100 . R	-200°C -60°C 0 Ω 10 Ω	+850°C +250°C 10000 Ω 100 kΩ	IEC60751 DIN 43760 - -

RTD :

Pt10, Pt20, Pt50, Pt100, Pt200, Pt250, Pt300, Pt400, Pt500, Pt1000  
Ni50, Ni100, Ni120, Ni1000

( ), RTD 50 Ω

..... 0,2 mA

(3- / 4- ), RTD ..... < 0,002 Ω / Ω

, RTD.....

, RTD..... < 15 Ω

B	+400°C	+1820°C	IEC 60584-1
E	-100°C	+1000°C	IEC 60584-1
J	-100°C	+1200°C	IEC 60584-1
K	-180°C	+1372°C	IEC 60584-1
L	-200°C	+900°C	DIN 43710
N	-180°C	+1300°C	IEC 60584-1
R	-50°C	+1760°C	IEC 60584-1
S	-50°C	+1760°C	IEC 60584-1
T	-200°C	+400°C	IEC 60584-1
U	-200°C	+600°C	DIN 43710
W3	0°C	+2300°C	ASTM E988-90
W5	0°C	+2300°C	ASTM E988-90
LR	-200°C	+800°C	GOST 3044-84

CJC

..... < ±1,0 °C

..... 2 A  
 ..... 0 A

..... -1...25 mA  
 ... 0...20 4...20 mA  
 : ..... 20 Ω + PTC 50 Ω

4...20 mA .....

..... -20 mV...12 VDC  
 ... 0...1 / 0,2...1 / 0...5 / 1...5 /  
 0...10 2...10 VDC  
 ..... 10 MΩ

( ) ..... 0...20 mA  
 ..... 0...20 / 4...20 /  
 20...0 20...4 mA

( ) ..... 20 mA / 800 Ω / 16 VDC  
 ..... ≤ 0,01% / 100 Ω

..... 0 / 3,5 / 23 mA /

NAMUR NE 43 - /

..... 23 mA / 3,5 mA

4...20 20...4 mA ..... 3,8...20,5 mA  
 0...20 20...0 mA ..... 0...20,5 mA  
 ..... ≤ 28 mA

..... 0...10 VDC  
 ..... 0...1 / 0,2...1 / 0...10 / 0...5 / 1...5 /  
 2...10 / 1...0 / 1...0,2 / 5...0 / 5...1 /  
 10...0 10...2 V  
 ( ) ..... 500 kΩ

**Ex-/I.S.:**

FM, ..... Class I, Div. 2, Group A, B, C, D  
 ..... Class I, Div. 2, Group IIC  
 T5 ..... 60°C

Det Norske Veritas, .....

..... 2.4

EMC 2004/108/EC ..... EN 61326-1  
 LVD 2006/95/EC ..... EN 61010-1  
 FM ..... 3600, 3611, 3810 ISA 82.02.01  
 UL, ..... UL 508

**4501**

4114	OUT.ERR=NONE.	OFF /
		ON /



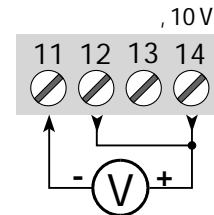
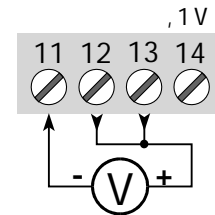
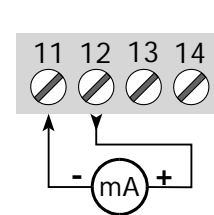
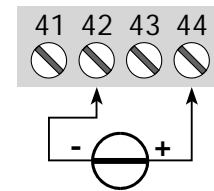
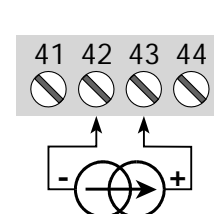
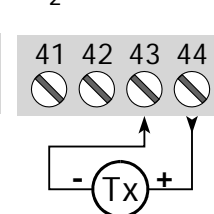
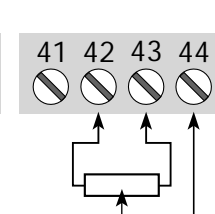
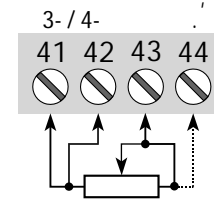
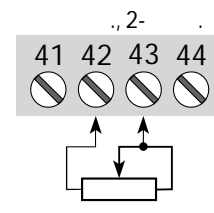
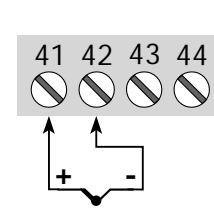
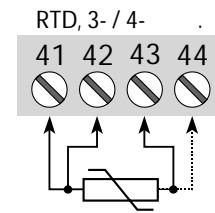
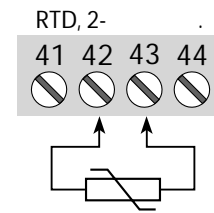
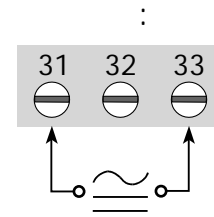
(IN.LO, IN.HI): A/D			
VOLT	0...1 V / 0,2...1 V	IN.LO	< -25 mV
		IN.HI	> 1,2 V
	0...10 V / 2...10 V	IN.LO	< -25 mV
		IN.HI	> 12 V
CURR	0...20 mA / 4...20 mA	IN.LO	< -1,05 mA
		IN.HI	> 25,05 mA
.R LIN.R	0...800 Ω	IN.LO	< 0 Ω
		IN.HI	> 1075 Ω
	0...10 kΩ	IN.LO	< 0 Ω
		IN.HI	< 110 kΩ
- POTM		IN.LO	< -0,5 %
		IN.HI	> 100,5 %
		IN.LO	< -2°C
		IN.HI	> +2°C

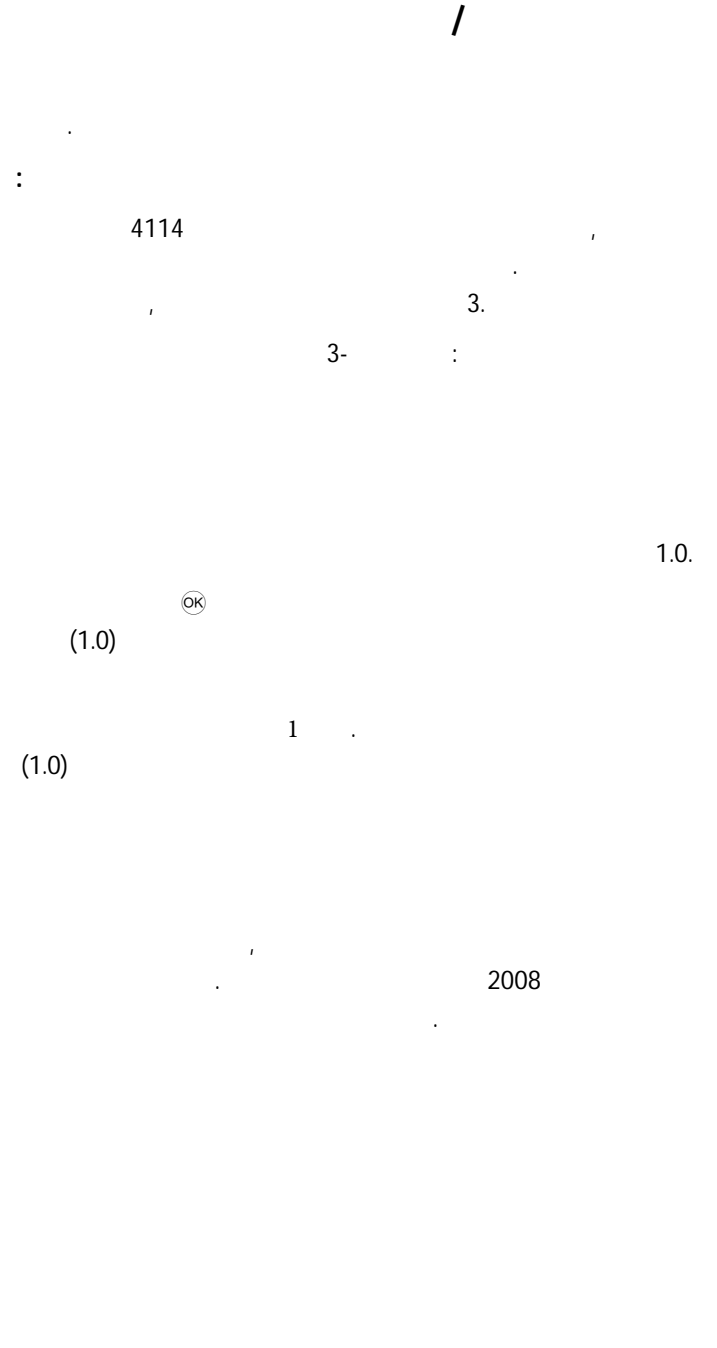
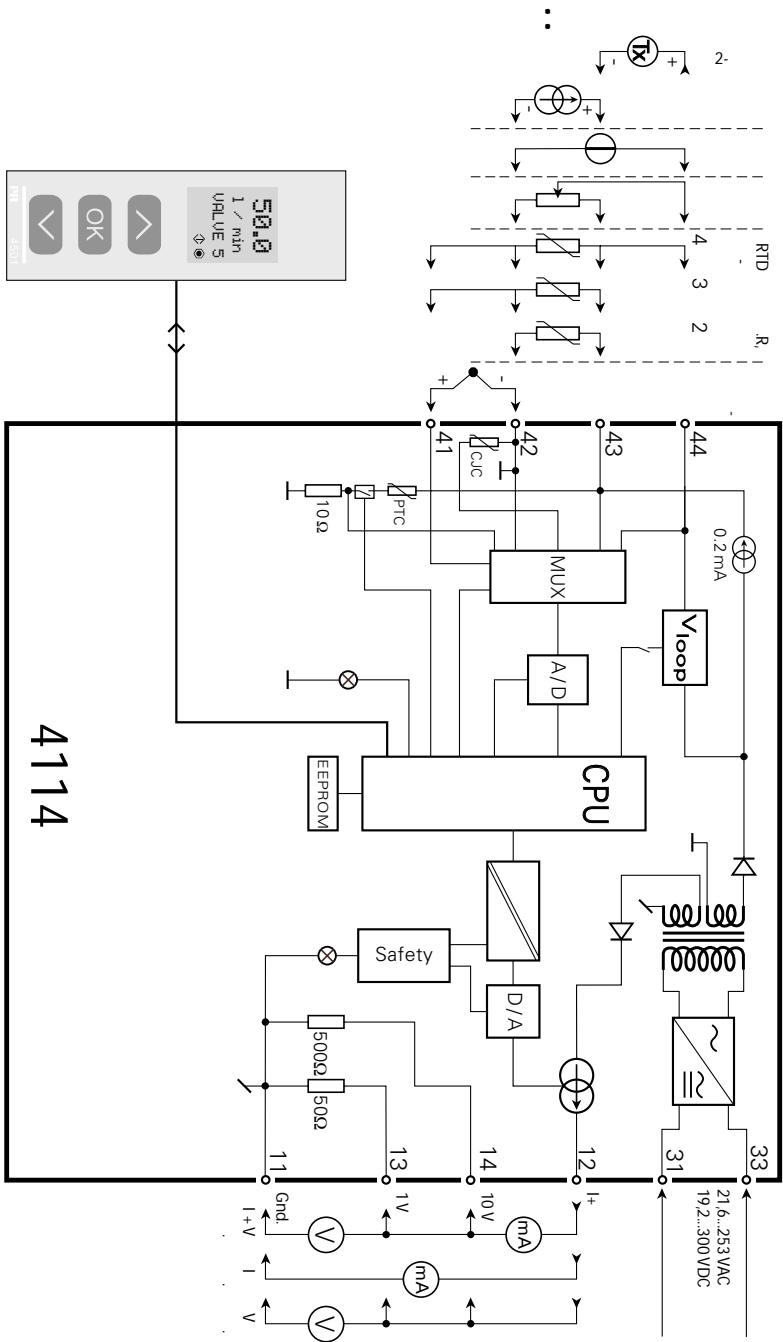
(-1999, 9999):			
		-1999	< -1999
		9999	> 9999

(SE.BR, SE.SH):			
CURR	(4...20 mA)	SE.BR	<= 3,6 mA; >= 21 mA
-P	SE.BR 3-	SE.BR	> 126 kΩ
.R LIN.R	0...800 Ω	SE.BR	> 875 Ω
	0...10 kΩ	SE.BR	> 11 kΩ
TEMP	- RTD: 2-, 3- 4- SE.SH Pt10, Pt20 Pt50	SE.BR	> 750 kΩ / (1,25 V)
		SE.BR	> 15 kΩ
		SE.SH	< 15 Ω
		SE.SH	< 15 Ω

	(CJC)	CJ.ER	CJC
	FLASH	FL.ER	FLASH
		AO.ER	1) ( 4...20 mA)
	4501 / 4114	NO.CO	
		IN.ER	1)
	4501	TY.ER	4114

1)	1 / s
----	-------





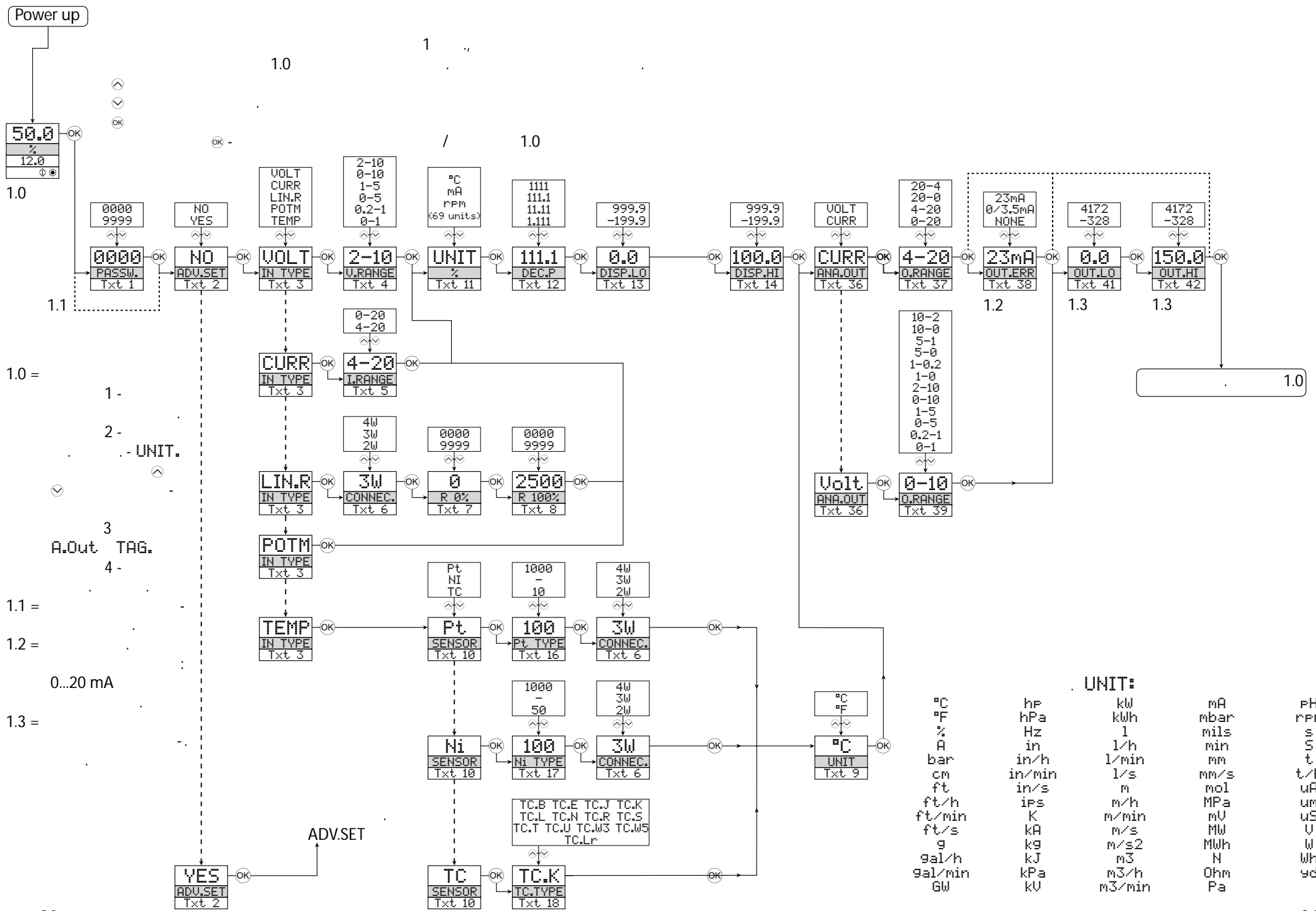
( . )  
 SE.BR ( ) SE.SH ( ).  
 ( ) IN.LO ( )  
 IN.HI ( )  
 3, .4  
 COM ( ) 4501,  
 /  
 13 Hz  
 1 Hz

2008.  
 : "lang.setup" 7  
 : UK, DE, FR, IT, ES, SE DK.

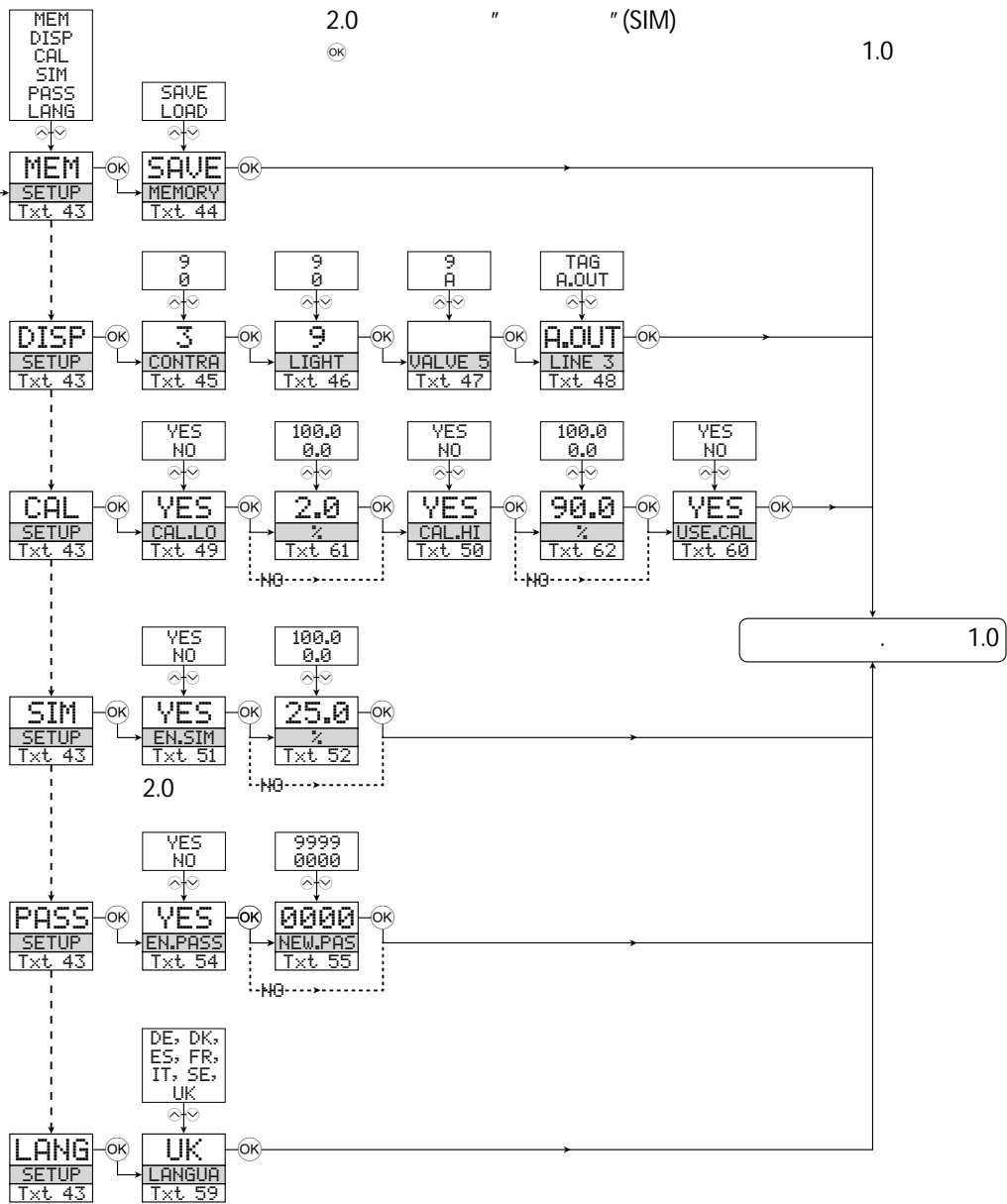
4501  
 CJ.ER – CJC CJC  
 FL.ER – Flash  
 AO.ER – ( 4...20 mA)  
 NO.CO –  
 IN.ER –  
 TY.ER – 4501

"Yes" "adv.set"  
 TAG 6  
 3 TAG.  
 2- :  
 2 ( )  
 0%), ( 100%),  
 " "  
 : " " "EN.SIM",





(ADV.SET)



[01]  
[02]  
[03]

[04]

[05]

[06]

[07]

[08]

[09]

[10]

[11]

[12]

[13]

[14]

[16]

[17]

[18]

[36]

[37]

[38]

NAMUR NE43  
NAMUR NE43

[39]

[41]

[42]

[43]

[44]

[45]

[46]

[47]

[48]

[49]

[50]

[51]

[52]

[54]

[55]

[59]

[60]

[61]

[62]

Ni  
Pt

B  
E  
J  
K  
L  
N  
R  
S  
T  
U  
W3  
W5  
LR

0-20 mA  
4-20 mA  
20-0 mA  
20-4 mA

0.0-1 V  
0.2-1 V  
0-5 V  
1-5 V  
0-10 V  
2-10 V  
1-0.0 V  
1-0.2 V  
5-0 V  
5-1 V  
10-0  
10-2 V

4114 4501 4114

TAG -

3

3

?

?

?

?

?

?

?

?

?

?

?

?

?

?

?

?

?

?

?

?

?

?

?

?

?

?

RU ▶ PR electronics A/S

Ex-

STREAM-SHIELD,

»Signals the Best« -

## Филиалы

France -  
PR electronics Sarl  
Zac du Chêne, Activillage  
4, allée des Sorbiers,  
F-69673 Bron Cedex  
sales@preelectronics.fr  
tel. +33 (0) 4 72 14 06 07  
fax +33 (0) 4 72 37 88 20

Germany -  
PR electronics GmbH  
Bamlerstraße 92  
D-45141 Essen  
sales@preelectronics.de  
tel. +49 (0) 201 860 6660  
fax +49 (0) 201 860 6666

Italy -  
PR electronics S.r.l.  
Via Giulietti, 8  
IT-20132 Milano  
sales@preelectronics.it  
tel. +39 02 2630 6259  
fax +39 02 2630 6283

Spain -  
PR electronics S.L.  
Avda. Meridiana 354, 9<sup>º</sup>B  
E-08027 Barcelona  
sales@preelectronics.es  
tel. +34 93 311 01 67  
fax +34 93 311 08 17

Sweden -  
PR electronics AB  
August Barks gata 6A  
S-421 32 Västra Frölunda  
sales@preelectronics.se  
tel. +46 (0) 3149 9990  
fax +46 (0) 3149 1590

UK -  
PR electronics Ltd  
Middle Barn, Apuldram  
Chichester  
West Sussex, PO20 7FD  
sales@preelectronics.co.uk  
tel. +44 (0) 1243 776 450  
fax +44 (0) 1243 774 065

USA -  
PR electronics Inc  
11225 West Bernardo Court  
Suite A  
San Diego, California 92127  
sales@preelectronics.com  
tel. +1 858 521 0167  
fax +1 858 521 0945

## Головной офис

Denmark -  
PR electronics A/S  
Lerbakken 10  
DK-8410 Rønne  
www.preelectronics.com  
sales@preelectronics.dk  
+45 86 37 26 77  
+45 86 37 30 85

