

ATEX Installation drawing 9106QA01 - V3R0



For safe installation of 9106B the following must be observed. The module shall only be installed by qualified personnel who are familiar with the national and international laws, directives and standards that apply to this area.



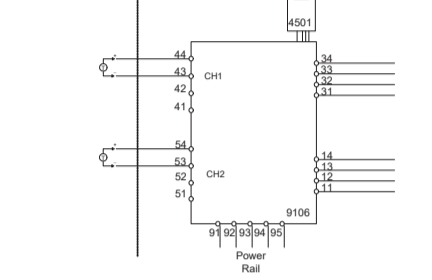
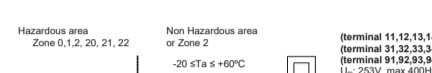
4501 For installation in Zone 2 the following must be observed. The 4501 programming module is to be used solely with PRelectronics modules. It is important that the module is undamaged and has not been altered or modified in any way. Only 4501 modules free of dust and moisture shall be installed.

9106B1A: 1 channel HART-transparent repeater (28 V Barrier)
9106B1B: 2 channel HART-transparent repeater (28 V Barrier)
9106B2A: 1 channel HART-transparent repeater (25.6 V Barrier)
9106B2B: 2 channel HART-transparent repeater (25.6 V Barrier)

ATEX Certificate: DEKRA 11ATEX0244X
Marking: II (1) G [Ex ia Ga] IIC/IIIB/IIA
EN 60079-0: 2009, EN 60079-11: 2007, EN 60079-15: 2005
EN 60079-26: 2007, EN 61241-11: 2006

Status Relay terminal (33,34) Zone 2 installation
Voltage max: 125 VAC / 110 VDC 32 VAC / 32 VDC
Power max: 62.5 VA / 32 W 16 VA / 32 W
Current max: 0.5 A AC / 0.3 ADC 0.5 A AC / 1 ADC

Installation notes: Install in pollution degree 2, overvoltage category II as defined in EN60664-1. Do not separate connectors when energized and an explosive gas mixture is present.



Tables showing input loop current sources (CH1, CH2) for ATEX 9106B1A/B and 9106B2A/B modules, including capacitance and inductance values.

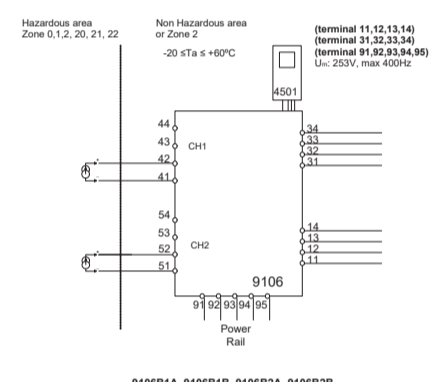
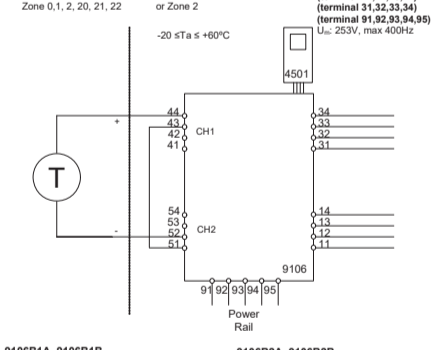


Table showing input external current sources (CH1, CH2) for ATEX 9106B1A/B and 9106B2A/B modules, including voltage, current, power, and capacitance values.



Tables showing input loop current sources (CH1, CH2) for ATEX 9106B1A/B and 9106B2A/B modules with transformer configuration.

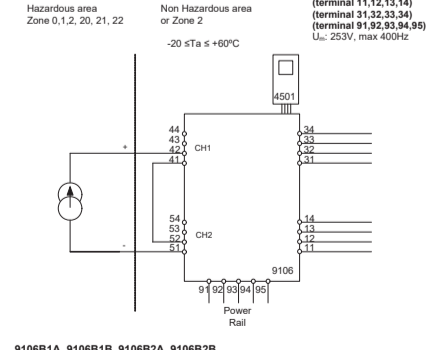


Table showing input external current sources (CH1, CH2) for ATEX 9106B1A/B and 9106B2A/B modules with external source configuration.

IECEx Installation drawing 9106QI01 - V3R0



For safe installation of 9106B the following must be observed. The module shall only be installed by qualified personnel who are familiar with the national and international laws, directives and standards that apply to this area.



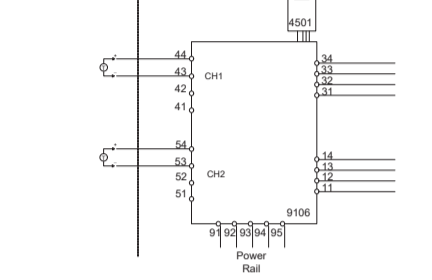
4501 For installation in Zone 2 the following must be observed. The 4501 programming module is to be used solely with PRelectronics modules. It is important that the module is undamaged and has not been altered or modified in any way. Only 4501 modules free of dust and moisture shall be installed.

9106B1A: 1 channel HART-transparent repeater (28 V Barrier)
9106B1B: 2 channel HART-transparent repeater (28 V Barrier)
9106B2A: 1 channel HART-transparent repeater (25.6 V Barrier)
9106B2B: 2 channel HART-transparent repeater (25.6 V Barrier)

IECEx Certificate: IECEx DEK 11 0084X
Marking: [Ex ia Ga] IIC/IIIB/IIA
EN 60079-0: 2009, EN 60079-11: 2011, EN 60079-15: 2011
EN 60079-26: 2006

Status Relay terminal (33,34) Zone 2 installation
Voltage max: 125 VAC / 110 VDC 32 VAC / 32 VDC
Power max: 62.5 VA / 32 W 16 VA / 32 W
Current max: 0.5 A AC / 0.3 ADC 0.5 A AC / 1 ADC

Installation notes: Install in pollution degree 2, overvoltage category II as defined in IEC 60664-1. Do not separate connectors when energized and an explosive gas mixture is present.



Tables showing input loop current sources (CH1, CH2) for IECEx 9106B1A/B and 9106B2A/B modules, including capacitance and inductance values.

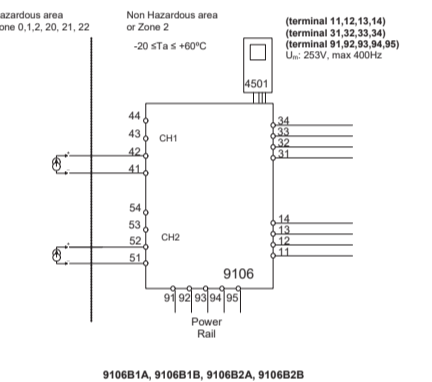
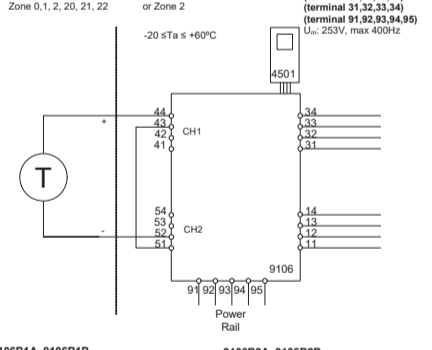


Table showing input external current sources (CH1, CH2) for IECEx 9106B1A/B and 9106B2A/B modules, including voltage, current, power, and capacitance values.



Tables showing input loop current sources (CH1, CH2) for IECEx 9106B1A/B and 9106B2A/B modules with transformer configuration.

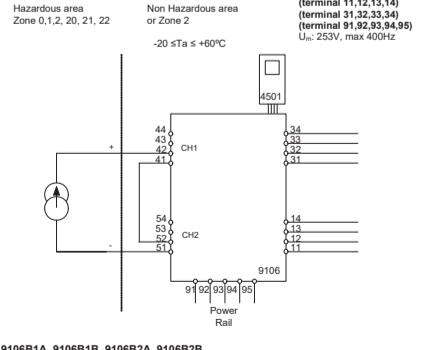


Table showing input external current sources (CH1, CH2) for IECEx 9106B1A/B and 9106B2A/B modules with external source configuration.

FM Installation drawing 9106QF01 - V3R0



For safe installation of 9106B the following must be observed. The module shall only be installed by qualified personnel who are familiar with the national and international laws, directives and standards that apply to this area.



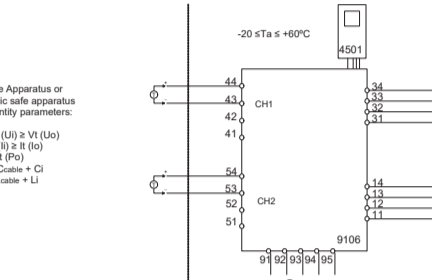
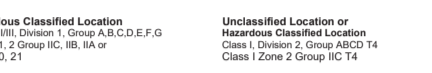
4501 For installation in Div2/Zone2 the following must be observed. The 4501 programming module is to be used solely with PRelectronics modules. It is important that the module is undamaged and has not been altered or modified in any way. Only 4501 modules free of dust and moisture shall be installed.

9106B1A: 1 channel HART-transparent repeater (28 V Barrier)
9106B1B: 2 channel HART-transparent repeater (28 V Barrier)
9106B2A: 1 channel HART-transparent repeater (25.6 V Barrier)
9106B2B: 2 channel HART-transparent repeater (25.6 V Barrier)

Status Relay terminal (33,34) Zone 2 installation
Voltage max: 125 VAC / 110 VDC 32 VAC / 32 VDC
Power max: 62.5 VA / 32 W 16 VA / 32 W
Current max: 0.5 A AC / 0.3 ADC 0.5 A AC / 1 ADC

Installation notes: In Class 1 Division 2 installations, the subject equipment shall be mounted within a tool-secured enclosure which is capable of accepting one or more of the Class 1, Division 2 wiring methods specified in the National Electrical Code (ANSI/NFPA 70) or Canadian Electrical Code (C22.1).

Warning: Substitution of components may impair intrinsic safety. To prevent ignition of the explosive atmosphere, disconnect power before servicing and do not separate connectors, install or remove module from Power Rail when energized and an explosive gas mixture is present.



Tables showing input loop current sources (CH1, CH2) for FM 9106B1A/B and 9106B2A/B modules, including capacitance and inductance values.

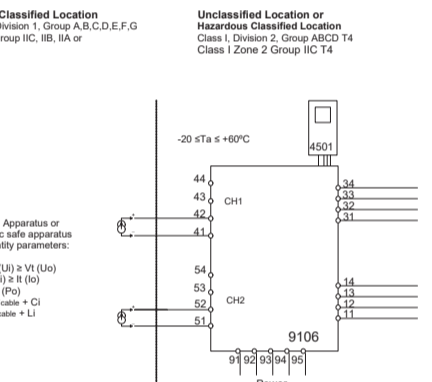
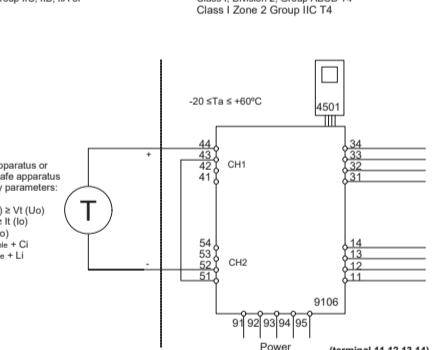


Table showing input external current sources (CH1, CH2) for FM 9106B1A/B and 9106B2A/B modules, including voltage, current, power, and capacitance values.



Tables showing input loop current sources (CH1, CH2) for FM 9106B1A/B and 9106B2A/B modules with transformer configuration.

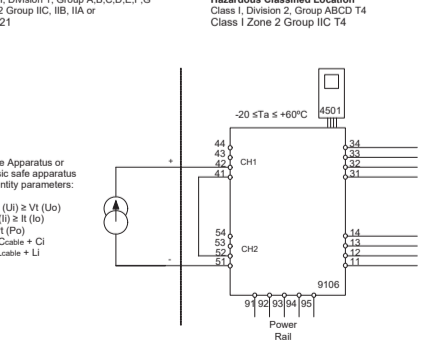


Table showing input external current sources (CH1, CH2) for FM 9106B1A/B and 9106B2A/B modules with external source configuration.

INMETRO - Desenhos para Instalação 9106QB01 - V4R0



Para instalação segura do 9106B o manual seguinte deve ser observado. O módulo deve ser instalado somente por profissionais qualificados que estão familiarizados com as leis nacionais e internacionais, diretrizes e normas que se aplicam a esta área.



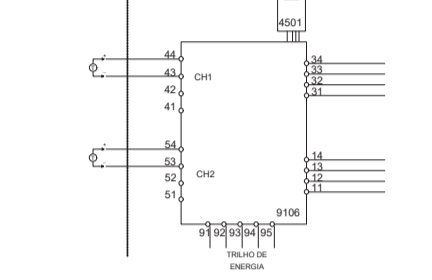
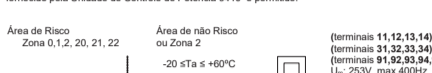
4501 Para a instalação em Zona 2 o seguinte deve ser observado. O módulo de programação de 4501 deve ser utilizado apenas com os módulos PR electrónica. É importante que o módulo esteja intacto e não tenha sido alterado ou modificado de qualquer maneira.

9106B1A: 1 canal HART-transparente repelidor (Barreira 28 V)
9106B1B: 2 canais HART-transparente repelidor (Barreira 28 V)
9106B2A: 1 canal HART-transparente repelidor (Barreira 25.6 V)
9106B2B: 2 canais HART-transparente repelidor (Barreira 25.6 V)

INMETRO Certificado: DEKRA 16.0001X
Marcas: [Ex ia Ga] IIC/IIIB/IIA
ABNT NBR IEC 60079-0:2013, ABNT NBR IEC 60079-11:2013, ABNT NBR IEC 60079-15:2012, ABNT NBR IEC 60079-26:2008

Status Relay terminal (33,34) Instalação Zona 2
Voltage max: 125 VAC / 110 VDC 32 VAC / 32 VDC
Power max: 62.5 VA / 32 W 16 VA / 32 W
Current max: 0.5 A AC / 0.3 ADC 0.5 A AC / 1 ADC

Notas de instalação: Instalação em grau de poluição 2, categoria de sobretensão II conforme definido no IEC 60664-1. Não separe conectores quando energizado ou quando uma mistura de gases explosivos estiver presente.



Tables showing input loop current sources (CH1, CH2) for INMETRO 9106B1A/B and 9106B2A/B modules, including capacitance and inductance values.

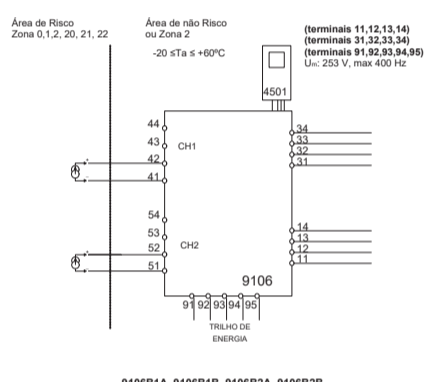
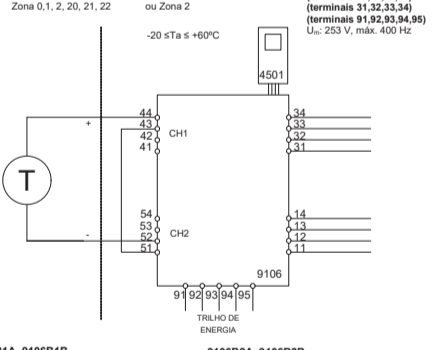


Table showing input external current sources (CH1, CH2) for INMETRO 9106B1A/B and 9106B2A/B modules, including voltage, current, power, and capacitance values.



Tables showing input loop current sources (CH1, CH2) for INMETRO 9106B1A/B and 9106B2A/B modules with transformer configuration.

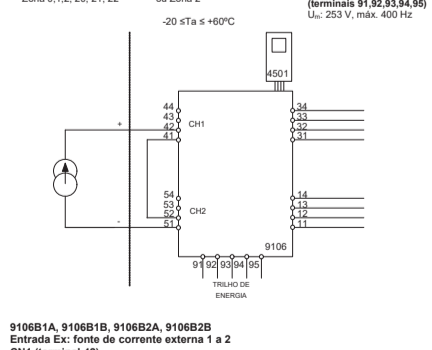


Table showing input external current sources (CH1, CH2) for INMETRO 9106B1A/B and 9106B2A/B modules with external source configuration.