

SWITCHMODE POWER SUPPLY



- Mains voltage input
- Isolation 3.75 kVAC
- Adjustable output 5...24 VDC, max. 7 W
- Short-circuit protection
- Thermal overload protection
- Standard 11-pole relay socket



Applications:

General power supply for smaller measurement systems requiring fixed stabilised 24 VDC, or supply for any other sensors, transmitters or as a general variable power supply 5 to 24 VDC. • Two units may be connected in series for plus / minus or higher output voltage.

Technical characteristics:

The unit is based on secondary switchmode technology enabling an adjustable output with a minimum loss of power. Isolation test voltage between input and output is 3.75 kVAC. This makes the unit suitable for PELV/SELV applications. The double-isolated safety transformer includes a 100°C thermal fuse which switches off the input before the transformer is overheated. When the temperature returns below 100°C the thermal fuse will automatically switch on the power supply.

Mounting:

The 2220 is for standard 11-pole socket mounting in all positions. To achieve maximum cooling, vertical position and a small distance (10 mm) between neighbouring units are recommended.

Input:

Standard supply voltages in accordance with the specifications. Galvanic isolation is ensured by the double-isolated safety transformer.

Output:

The output is adjustable from front potentiometer in the range 5...24 VDC. A green LED indicates active output. Short-circuit protection limits the current to typ. 2.2 Amp. Output is isolated by 3.75 kVAC from input.

Electrical specifications:

Specifications range:

-20°C to +60°C

Common specifications:

Internal consumption max.....	4 W
Isolation test / operation.....	3.75 kVAC / 250 VAC
Transformer	EN 60742
Temperature coefficient	0.05% / °C
Mains effect (±10%)	< ±30 mV
Transient stability (10%-max. load)...	< 250 mV
EMC immunity influence	< ±0.5%
Relative air humidity	< 95% RH (non-cond.)
Dimensions (HxWxD).....	80.5 x 35.5 x 84.5 mm
Protection degree.....	IP50
Weight	425 g

Input:

Input voltage.....	21.6...26.4 VAC
	99...121 VAC
	108...132 VAC
	207...253 VAC
Frequency.....	50...60 Hz

Output:

Output voltage.....	4.75...25.2 VDC
Output power	Max. 7 W
Output current	1 A / 5 VDC
	0.55 A / 12 VDC
	0.45 A / 15 VDC
	0.3 A / 24 VDC
Load effect, (10%-max. load).....	< 1.5% / A
Current limit (short circuit)	Typ. 2.2 A
Output ripple	< 20 mVRMS

GOST R approval:

VNIIM, Cert. no. See www.prelectronics.com

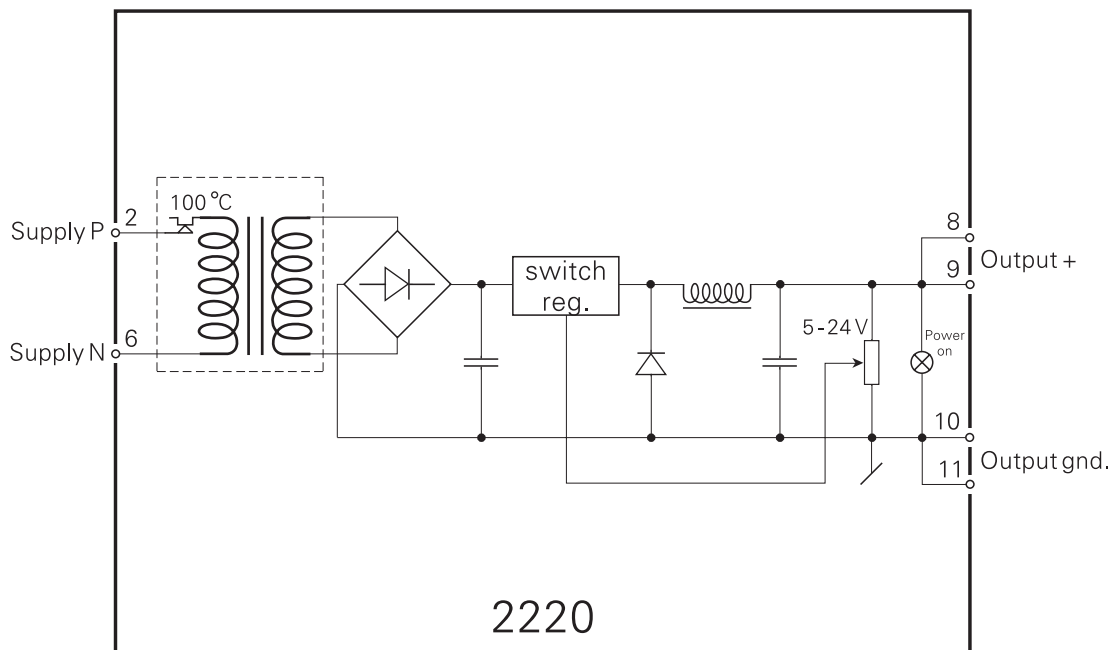
Observed authority requirements: Standard:

EMC 2004/108/EC	EN 61326-1
LVD 2006/95/EC	EN 61010-1
PELV/SELV.....	IEC 364-4-41 and EN 60742

Order: 2220

Type	Version	Output
2220	110 VAC : A	Special (5...24 V) : 0
	230 VAC : B	24 VDC : 1
	24 VAC : D	15 VDC : 2
	120 VAC : F	12 VDC : 3
		5 VDC : 4

Block diagram:



Front layout:

