

PR



9202

Pulse isolator

No. 9202V103-UK

Product version: 9202-003



SIGNALS THE BEST

- DK ▶** PR electronics A/S tilbyder et bredt program af analoge og digitale signalbehandlingsmoduler til industriel automation. Programmet består af Isolatorer, Displays, Ex-barrierer, Temperaturtransmittere, Universaltransmittere mfl. Vi har modulerne, du kan stole på i selv barske miljøer med elektrisk støj, vibrationer og temperaturudsving, og alle produkter opfylder de strengeste internationale standarder. Vores motto »Signals the Best« er indbegrebet af denne filosofi – og din garanti for kvalitet.
- UK ▶** PR electronics A/S offers a wide range of analogue and digital signal conditioning modules for industrial automation. The product range includes Isolators, Displays, Ex Interfaces, Temperature Transmitters, and Universal Modules. You can trust our products in the most extreme environments with electrical noise, vibrations and temperature fluctuations, and all products comply with the most exacting international standards. »Signals the Best« is the epitome of our philosophy – and your guarantee for quality.
- FR ▶** PR electronics A/S offre une large gamme de produits pour le traitement des signaux analogiques et numériques dans tous les domaines industriels. La gamme de produits s'étend des transmetteurs de température aux afficheurs, des isolateurs aux interfaces SI, jusqu'aux modules universels. Vous pouvez compter sur nos produits même dans les conditions d'utilisation sévères, p.ex. bruit électrique, vibrations et fluctuations de température. Tous nos produits sont conformes aux normes internationales les plus strictes. Notre devise »SIGNALS the BEST« c'est notre ligne de conduite - et pour vous l'assurance de la meilleure qualité.
- DE ▶** PR electronics A/S verfügt über ein breites Produktprogramm an analogen und digitalen Signalverarbeitungsmodulen für die industrielle Automatisierung. Dieses Programm umfasst Displays, Temperaturtransmitter, Ex- und galvanische Signaltrenner, und Universalgeräte. Sie können unsere Geräte auch unter extremen Einsatzbedingungen wie elektrisches Rauschen, Erschütterungen und Temperaturschwingungen vertrauen, und alle Produkte von PR electronics werden in Übereinstimmung mit den strengsten internationalen Normen produziert. »Signals the Best« ist Ihre Garantie für Qualität!

PULSE ISOLATOR

9202

CONTENTS

Warning	2
Symbol identification.....	2
Safety instructions.....	2
How to dismantle system 9000	4
EC Declaration of Conformity	5
Advanced features	6
Application	6
Technical characteristics	6
Applications.....	7
PR 4501 Display / programming front	8
Order: 9202B.....	9
Electrical specifications.....	9
Configuration of cable fault check	11
Function description.....	12
Connections	13
Block diagram	14
Signal error and cable fault indications without display front.....	15
Configuration / operating the function keys	16
Scrolling help texts in display line 3.....	18
Routing diagram.....	19
Routing diagram, Advanced settings (ADV.SET).....	20
Appendix	21
IECEX Installation Drawing	22
ATEX Installation Drawing	24
FM Installation Drawing.....	26
Safety Manual.....	28



WARNING

The following operations should only be carried out on a disconnected module and under ESD-safe conditions:
General mounting, connection and disconnection of wires.
Troubleshooting the module.

Repair of the module and replacement of circuit breakers must be done by PR electronics A/S only.



WARNING

Do not open the front plate of the module as this will cause damage to the connector for the display / programming front PR 4501. This module contains no DIP-switches or jumpers.

SYMBOL IDENTIFICATION



Triangle with an exclamation mark: Read the manual before installation and commissioning of the module in order to avoid incidents that could lead to personal injury or mechanical damage.



The CE mark proves the compliance of the module with the essential requirements of the directives.



The double insulation symbol shows that the module is protected by double or reinforced insulation.



Ex modules have been approved according to the ATEX directive for use in connection with installations in explosive areas.

SAFETY INSTRUCTIONS

DEFINITIONS

Hazardous voltages have been defined as the ranges: 75...1500 Volt DC, and 50...1000 Volt AC.

Technicians are qualified persons educated or trained to mount, operate, and also troubleshoot technically correct and in accordance with safety regulations.

Operators, being familiar with the contents of this manual, adjust and operate the knobs or potentiometers during normal operation.

RECEIPT AND UNPACKING

Unpack the module without damaging it. The packing should always follow the module until this has been permanently mounted.

Check at the receipt of the module whether the type corresponds to the one ordered.

ENVIRONMENT

Avoid direct sunlight, dust, high temperatures, mechanical vibrations and shock, as well as rain and heavy moisture. If necessary, heating in excess of the stated limits for ambient temperatures should be avoided by way of ventilation.

The module must be installed in pollution degree 2 or better.

The module is designed to be safe at least under an altitude up to 2 000 m.

MOUNTING

Only technicians who are familiar with the technical terms, warnings, and instructions in the manual and who are able to follow these should connect the module.

Should there be any doubt as to the correct handling of the module, please contact your local distributor or, alternatively,

PR electronics A/S
www.prelectronics.com

The use of stranded wires is not permitted for mains wiring except when wires are fitted with cable ends.

Descriptions of input / output and supply connections are shown in the block diagram and on the side label.

The module is provided with field wiring terminals and shall be supplied from a Power Supply having double / reinforced insulation. A power switch should be easily accessible and close to the module. The power switch should be marked with a label telling that it will switch off the voltage to the module.

For installation on Power Rail 9400 the power is supplied by the Power Control Unit 9410.

Year of manufacture can be taken from the first two digits in the serial number.

CALIBRATION AND ADJUSTMENT

During calibration and adjustment, the measuring and connection of external voltages must be carried out according to the specifications of this manual. The technician must use tools and instruments that are safe to use.

NORMAL OPERATION

Operators are only allowed to adjust and operate modules that are safely fixed in panels, etc., thus avoiding the danger of personal injury and damage. This means there is no electrical shock hazard, and the module is easily accessible.

CLEANING

When disconnected, the module may be cleaned with a cloth moistened with distilled water.

LIABILITY

To the extent that the instructions in this manual are not strictly observed, the customer cannot advance a demand against PR electronics A/S that would otherwise exist according to the concluded sales agreement.

HOW TO DISMANTLE SYSTEM 9000



Picture 1:

By lifting the bottom lock, the module is detached from the power rail.

EC DECLARATION OF CONFORMITY

As manufacturer

PR electronics A/S
Lerbakken 10
DK-8410 Rønde

hereby declares that the following product:

Type: 9202
Name: Pulse isolator

is in conformity with the following directives and standards:

The EMC Directive 2004/108/EC and later amendments
EN 61326-1 : 2006

For specification of the acceptable EMC performance level, refer to the electrical specifications for the module.

The Low Voltage Directive 2006/95/EC and later amendments
EN 61010-1 : 2001

The ATEX Directive 94/9/EC and later amendments
EN 60079-0:2009, EN 60079-11:2007, EN 60079-15:2005,
EN 60079-26:2007, EN 61241-11:2006
ATEX certificate: KEMA 07ATEX0146 X

Notified body

DEKRA Certification B.V. (0344)
Utrechtseweg 310, 6812 AR Arnhem
P.O. Box 5185, 6802 ED Arnhem
The Netherlands



Rønde 7 February 2012

Kim Rasmussen
Manufacturer's signature

PULSE ISOLATOR

9202

- *Interface for NAMUR sensors and switches*
- *Extended self-diagnostics and detection of cable fault*
- *1 or 2 channels*
- *Can be supplied separately or installed on power rail, PR type 9400*
- *SIL 2-certified via Full Assessment*

Advanced features

- Configuration and monitoring by way of detachable display front (PR 4501).
- Selection of direct or inverted function for each channel via PR 4501.
- Advanced monitoring of internal communication and stored data.
- Optional redundant supply via power rail and/or separate supply.
- SIL 2 functionality is optional and must be activated in a menu point.

Application

- The module can be mounted in the safe area and in zone 2 / cl. 1 div. 2 and receive signals from zone 0, 1, 2 and zone 20, 21, 22 including M1 / Class I/II/III, Div. 1, Gr. A-G.
- Pulse isolator for transmission of signals to the safe area from NAMUR sensors and mechanical switches installed in the hazardous area.
- Monitoring of error events and cable breakage via the individual status relay and/or a collective electronic signal via the power rail.
- The 9202 has been designed, developed and certified for use in SIL 2 applications according to the requirements of IEC 61508.

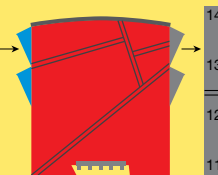
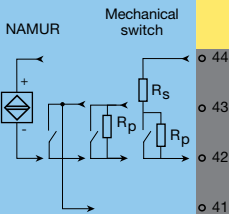
Technical characteristics

- 1 green and 2 yellow/red front LEDs indicate operation status and malfunction.
- 2.6 kVAC galvanic isolation between input, output and supply.

APPLICATIONS

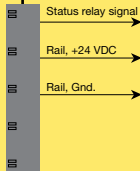
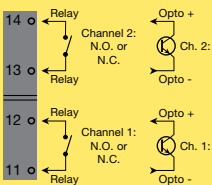
Input signals:

Channel 1:

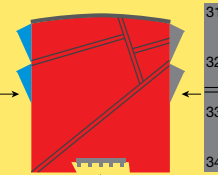
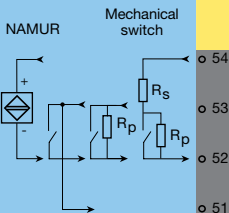


Power rail

Output signals:

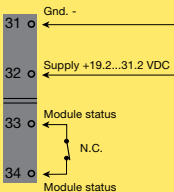


Channel 2:



Supply via power rail

Power connection:



**Zone 0, 1, 2,
20, 21, 22, M1 &
Cl. I/II/III, div. 1
gr. A-G**

Zone 2 / Cl. 1, div. 2, gr. A-D or safe area

PR 4501 DISPLAY / PROGRAMMING FRONT



Functionality

The simple and easily understandable menu structure and the explanatory help texts guide you effortlessly and automatically through the configuration steps, thus making the product very easy to use. Functions and configuration options are described in the section "Configuration / operating the function keys".

Application

- Communications interface for modification of operational parameters in 9202.
- When mounted in the process, the display shows process values and module status.


Technical characteristics

- LCD display with 4 lines; Line 1 (H=5.57 mm) shows status for each channel (OK or error). Line 2 (H=3.33 mm) shows output for channel 1 (ON / OFF), line 3 (H=3.33 mm) shows output for channel 2 (ON / OFF), and line 4 shows whether the module is SIL-locked. Static dot = SIL-locked and flashing dot = not SIL-locked. Line 4 also indicates status for relay 1 and relay 2.
- In order to protect the configuration against unauthorised changes, access to the menus can be blocked by a password.

Mounting / installation

- Click 4501 onto the front of 9202.

Order: 9202B



Type	Switch	Channels
9202B	Opto : 1 Relay N.O. . . : 2 Relay N.C. . . : 3	Single . . . : A Double . . . : B

4501 = Display / programming front

9400 = Power rail

Electrical specifications

Specifications range..... -20...+60°C

Storage temperature -20...+85°C

Common specifications:

Supply voltage, DC 19.2...31.2 VDC

Max. consumption..... ≤ 3 W (2 channels)

Fuse..... 400 mA SB / 250 VAC

Isolation voltages, test / operation:

Inputs / outputs / supply..... 2.6 kVAC / 300 VAC reinforced

Output 1 to output 2 1.5 kVAC / 150 VAC reinforced

Status relay to supply 1.5 kVAC / 150 VAC reinforced

Communications interface Programming front 4501

Response time for cable fault < 200 ms

Calibration temperature..... 20...28°C

Auxiliary supplies:

NAMUR supply..... 8 VDC / 8 mA

Vibration, IEC 60068-2-6..... Test Fc, 1 g, 2...100 Hz

Vibration, continuous, IEC 60068-2-64..... Test Fh, 1 g, 3...100 Hz

Wire size AWG 26...14 / 0.13...2.08 mm²
stranded wire

Screw terminal torque 0.5 Nm

Relative humidity < 95% RH (non-cond.)

Dimensions, without display front (HxBxD) 109 x 23.5 x 104 mm

Dimensions, with display front (HxBxD)..... 109 x 23.5 x 116 mm

Protection degree..... IP20

Weight 170 g / 185 g with 4501

Inputs:

Sensor types:

NAMUR according to.....	EN 60947-5-6
Mechanical switch with series (R_s) and parallel (R_p) resistance:	
R_s	Nom. 750 Ω
R_p	Nom. 15 k Ω
Frequency range	0...5 kHz
Min. pulse length.....	> 0.1 ms
Input resistance.....	Nom. 1 k Ω
Trig level, signal.....	< 1.2 mA, > 2.1 mA
Trig level, cable fault.....	< 0.1 mA, > 6.5 mA

Outputs:**Relay outputs:**

Status relay:

Max. voltage.....	125 VAC / 110 VDC
Max. current.....	0.5 A AC / 0.3 A DC
Max. power	62.5 VA / 32 W

Relay outputs:

Max. switch frequency.....	20 Hz
Max. voltage.....	250 VAC / 30 VDC
Max. current.....	2 A AC / 2 A DC
Max. power	500 VA / 60 W

Opto, NPN outputs:

Max. switch frequency.....	5 kHz
Min. pulse length.....	60 μ s
Max. load, current / voltage.....	80 mA / 30 VDC
Voltage drop at 80 mA.....	< 2.5 VDC

Approvals:

EMC 2004/108/EC	EN 61326-1
LVD 2006/95/EC.....	EN 61010-1
UL, Standard for Safety	UL 61010-1
GOST R	

Marine:

Det Norske Veritas, Ships & Offshore	Stand. f. Certific. No. 2.4
--	-----------------------------

I.S. / Ex:

ATEX 94/9/EC.....	KEMA 07ATEX0146 X
IECEX.....	IECEX KEM 06.0039 X
c FM us	3034430-C
GOST Ex	

Functional Safety:

SIL2 Certified & Fully Assessed acc. to IEC 61508

Configuration of cable fault check

Diagnostics


Cable fault check, independent detection and visualisation for each channel:		
Module:	Configuration, common for both channels	Cable fault detection:
9202	CA.BR = Yes or CA.SH = Yes	ON
	Else:	OFF

Cable fault detection

Cable fault detection (CA.BR, CA.SH):			
Input	Event	Readout	Limit
All	Cable break	CA.BR	< 0.1 mA
All	Short-circuited cable	CA.SH	> 6.5 mA

Hardware / Software error

Readout at hardware error:		
Error search	Readout	Cause
Communications test 4501 / 9202	NO.CO	Connection error
EEProm error - check configuration	FL.ER	Configuration error or crc mismatch, recovery configuration is loaded
Hardware error	DE.ER	Invalid recovery configuration in device
Hardware error	FC.ER	Invalid code checksum in 4501
EEProm error - check configuration	CO.ER	Invalid configuration (CRC or data)
Hardware error	CA.ER	Factory calibration error
Hardware error	HW.ER	HW setup - configuration mismatch
Hardware error	OC.ER	Main output controller communication error
Hardware error	MS.ER	Main internal supply out of bounds
Hardware error	MI.ER	Main initialisation selftest failed
Hardware error	MC.ER	Main flash or ram selftest failed

! All error indications in the display flash once per second. The help text explains the error. In case of cable fault the backlight also flashes. This can be reset by pressing the  key.

Errors affecting both channels are shown as error on channel 1 - and the line showing channel 2 is blank.

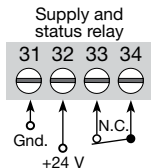
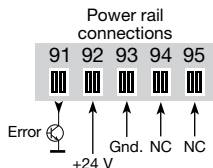
Hardware error can be reset in two ways. Either step through the menus (if the other channel is to stay in operation) or power cycle the module.

FUNCTION DESCRIPTION

Examples of connections in connection drawing and block diagram (1)...(4)

- (1) NAMUR sensor with cable error detection in case of cable disconnection or short-circuit.
- (2) Mechanical contact with cable error detection in case of cable disconnection or short-circuit, when Rs and Rp are mounted on the contact.
- (3) Mechanical contact with cable error detection in case of cable disconnection, when Rp is mounted on the contact.
- (4) Mechanical contact without cable error detection.

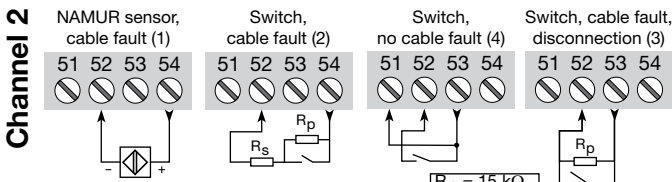
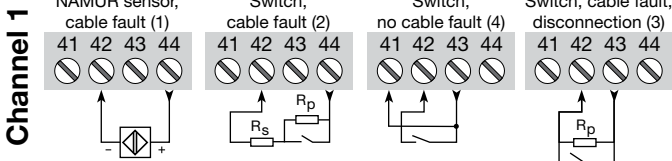
CONNECTIONS



NC = no connection

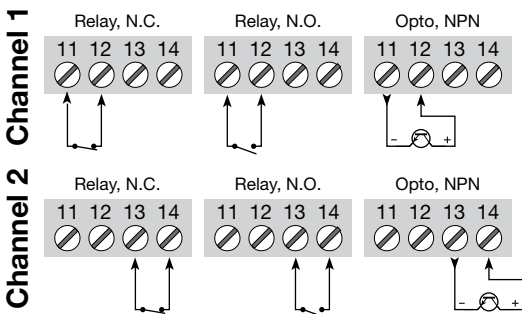
Inputs:

(1)...(4) = See function description on page 12

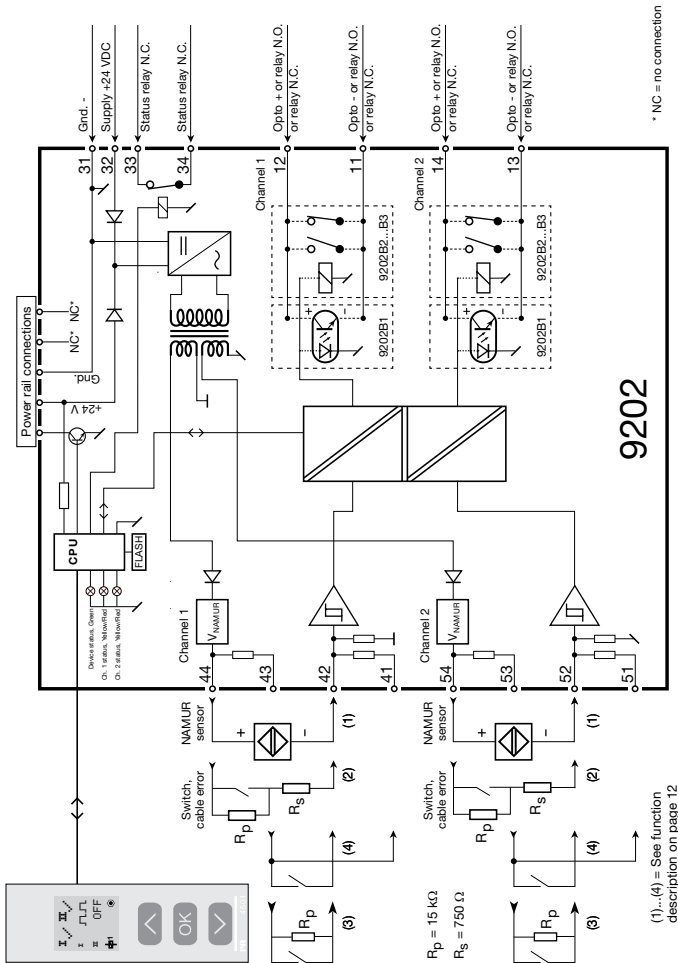


$R_p = 15 \text{ k}\Omega$
 $R_s = 750 \Omega$

Outputs:



BLOCK DIAGRAM



* NC = no connection

(1)...(4) = See function description on page 12

Signal error and cable fault indications without display front

List of LED and error signal indications					
State	Green LED	Ch. 1: Yellow / red	Ch. 2: Yellow / red	Status relay, N.C.	Power rail signal status
Module OK	Flashing			Energised	OFF
No supply	OFF	OFF	OFF	De-energised	ON
Module defective	OFF	Red	Red	De-energised	ON
Channel 1, relay energised	Flashing	Yellow		Energised	OFF
Channel 1, relay de-energised at cable fault	Flashing	Red flashing		De-energised	ON (if activated)
Channel 1, relay de-energised	Flashing	OFF		Energised	OFF
Channel 2, relay energised	Flashing		Yellow	Energised	OFF
Channel 2, relay de-energised at cable fault	Flashing		Red flashing	De-energised	ON (if activated)
Channel 2, relay de-energised	Flashing		OFF	Energised	OFF

CONFIGURATION / OPERATING THE FUNCTION KEYS

Documentation for routing diagram.

In general

When configuring the 9202, you will be guided through all parameters and you can choose the settings which fit the application. For each menu there is a scrolling help text which is automatically shown in line 3 on the display.

Configuration is carried out by use of the 3 function keys:

- ⬆ will increase the numerical value or choose the next parameter
- ⬇ will decrease the numerical value or choose the previous parameter
- Ⓞ will save the chosen value and proceed to the next menu

When configuration is completed, the display will return to the default state 1.0.

Pressing and holding Ⓞ will return to the previous menu or return to the default state (1.0) without saving the changed values or parameters.

If no key is activated for 1 minute, the display will return to the default state (1.0) without saving the changed values or parameters.

Further explanations

Password protection: Programming access can be blocked by assigning a password. The password is saved in the module in order to ensure a high degree of protection against unauthorised modifications to the configuration. Default password 2008 allows access to all configuration menus.

Cable fault information via display front 4501

Cable fault (see limits in the table) is displayed as CA.BR (cable break) or CA.SH (cable short-circuited). Cable fault is shown independently for each channel but the configuration is common for both channels. In case of cable fault the backlight flashes. This can be reset by pressing the Ⓞ key. When the cable fault has been remedied, the module will return to normal operation.

Advanced functions

The unit gives access to a number of advanced functions which can be reached by answering "Yes" to the point "adv.set".

Display setup: Here you can adjust the brightness contrast and the backlight. Setup of tag numbers with 5 alphanumeric. Selection of functional readout in line 2 and 3 of the display - choose between readout of digital output or tag no. When selecting "ALT" the readout toggles between digital output and tag no.

Password: Here you can choose a password between 0000 and 9999 in order to protect the unit against unauthorised modifications to the configuration. The unit is delivered default without password.

Language: In the menu "LANG" you can choose between 7 different language versions of help texts that will appear in the menu. You can choose between UK, DE, FR, IT, ES, SE and DK.

Power rail: In the menu "RAIL" you can choose if errors in the module are transmitted to the central surveillance in the PR 9410 power control unit.

Safety integrity level: See Safety Manual for details



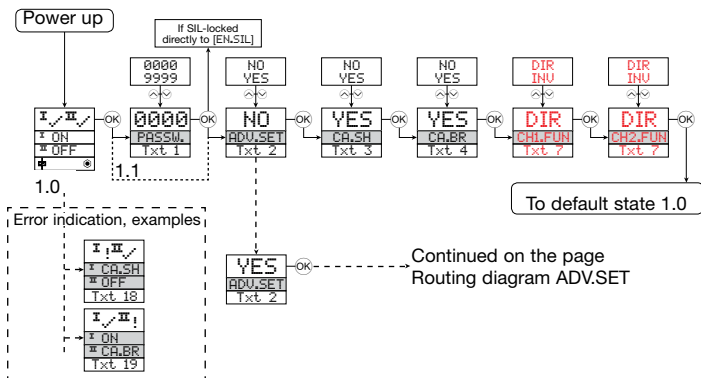
SCROLLING HELP TEXTS IN DISPLAY LINE 3

- [01] Set correct password [PASS]
- [02] Enter advanced setup [ADV.SET]
- [03] Enable cable short circuit error indication [CA.SH]
- [04] Enable cable breakage error indication? [CA.BR]
- [05] Enable rail status signal output? [RAIL.ER]
- [06] Enter language setup [SETUP]
- [6/1] Enter password setup [SETUP]
- [6/2] Enter display setup [SETUP]
- [6/3] Enter rail setup [SETUP]
- [6/4] Enter SIL setup [SETUP]
- [07] Select Direct channel function [CH1.FUN] [CH2.FUN]
Select Inverted channel function [CH1.FUN] [CH2.FUN]
- [09] Adjust LCD contrast [CONTRA]
- [10] Adjust LCD backlight [LIGHT]
- [11] Write a 5-character channel TAG ['TAGON] ["TAGON]
- [12] Show Output load in display [DISP]
Show Output state in display
Show TAG in display
Alternate information shown in display
- [13] Configuration SIL status (Open / Locked) [CONFIG]
- [14] Enable SIL configuration lock [EN.SIL]
- [15] Enable Password protection [EN.PASS]
- [16] Set New password [NEW.PAS]
- [17] Select Language [LANGUA]
- [18] Cable short circuit [^lCA.SH] [^{ll}OFF]
- [19] Cable breakage [^lON] [^{ll}CA.BR]

ROUTING DIAGRAM

If no key is activated for 1 minute, the display will return to the default state 1.0 without saving configuration changes.

- ⏏ Increase value / choose next parameter
- ⏏ Decrease value / choose previous parameter
- ⏏ Save the chosen value and proceed to the next menu
- Hold ⏏ Back to previous menu / return to menu 1.0 without saving



1.0 = Default state

Line 1 shows status for channel 1 and channel 2.

Line 2 shows status for sensor 1.

Line 3 shows status for sensor 2.

Line 4 indicates whether the module is SIL-locked.

1.1 = Only if password-protected

1.2 = If password has been set.

Line 1 symbols:

⏏ = OK. Flashing ⏏! = error

Line 2 and 3 symbols:

Input frequency > 1 Hz = ⏏ ⏏ ⏏ ⏏

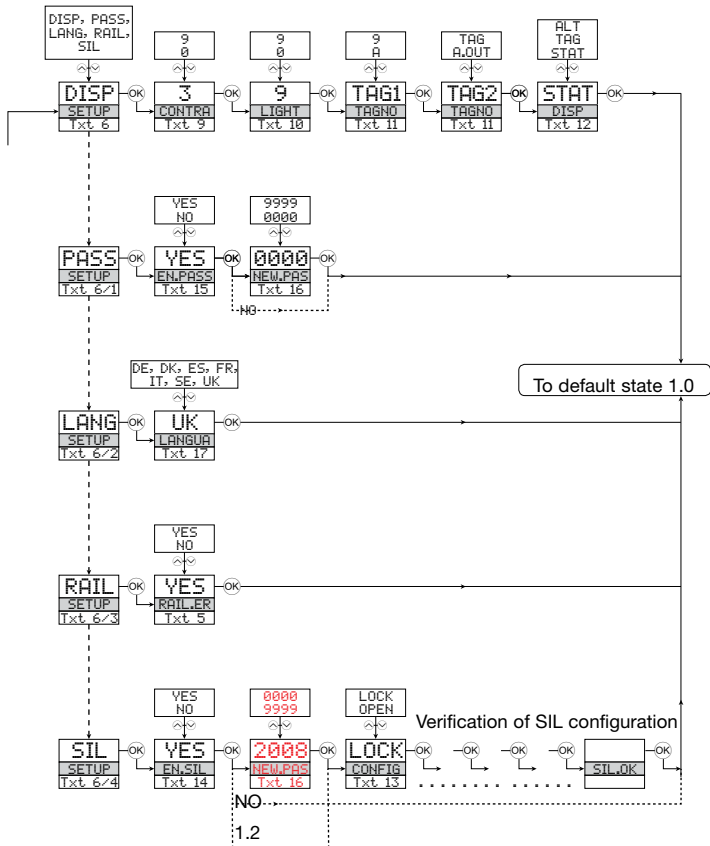
Line 4 symbols:

Static dot = SIL-locked

Flashing dot = not SIL-locked

Red text signifies safety parameters in a SIL configuration. See safety manual for details

ROUTING DIAGRAM, ADVANCED SETTINGS (ADV.SET)



APPENDIX

IECE_x INSTALLATION DRAWING

ATEX INSTALLATION DRAWING

FM INSTALLATION DRAWING

SAFETY MANUAL

IECEx Installation drawing



For safe installation of 9202B the following must be observed. The module shall only be installed by qualified personnel who are familiar with the national and international laws, directives and standards that apply to this area.

Year of manufacture can be taken from the first two digits in the serial number.



For Installation in Zone 2 / Division 2 the following must be observed.

The 4501 programming module is to be used solely with PR electronics modules. It is important that the module is undamaged and has not been altered or modified in any way. Only 4501 modules free of dust and moisture shall be installed.

IECEx Certificate	KEM 06.0039 X
Marking	[Ex ia Ga] IIC/IIB/IIA Ex nA nC IIC T4 Gc [Ex ia Da] IIIC [Ex ia Ma] I
Standards	IEC60079-15 :2005, IEC60079-11:2011, IEC60079-0: 2011 IEC60079-26: 2006

Supply terminal (31,32)

Voltage: 19.2 – 31.2 VDC

Status Relay. terminal (33,34)

		Zone 2 Installation
Voltage max:	125VAC / 110VDC	32VAC / 32VDC
Power max:	62,5VA / 32W	16VA / 32W
Current max:	0.5A AC / 0.3ADC	0.5A AC / 1ADC

Installation notes.

Install in pollution degree 2, overvoltage category II as defined in IEC60664-1

Do not separate connectors when energized and an explosive gas mixture is present.

Do not mount or remove modules from the Power Rail when an explosive gas mixture is present.

Disconnect power before servicing.

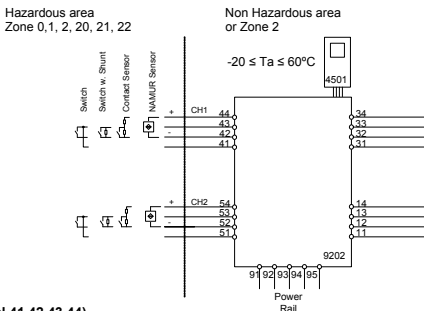
The wiring of unused terminals is not allowed.

In type of protection [Ex ia Da] the parameters for intrinsic safety for gas group IIB are applicable.

For installation in Zone 2, the module shall be installed in an enclosure in type of protection Ex n or Ex e, providing a degree of protection of at least IP54. Cable entry devices and blanking elements shall fulfill the same requirements.

For installation on Power Rail in Zone 2, only Power Rail type 9400 supplied by Power Control Unit type 9410 (Type Examination Certificate KEMA 07ATEX0152 X) is allowed.

LERBAKKEN 10, 8410 RØNDE DENMARK


Ex input:
CH1 (terminal 41,42,43,44)
CH2 (terminal 51,52,53,54)
 U_0 : 10.6 VDC

 I_0 : 12 mA DC

 P_0 : 32 mW

 L_0/R_0 : 1150 μ H/ Ω
 U_m : 253 V max. 400 Hz

Supply / Output:
(terminal 11,12,13,14)
(terminal 31,32,33,34)
(terminal 91,92,93,94,95)

	IIC	IIB	IIA	I
C_0	2.0 μ F	6.0 μ F	18 μ F	90 μ F
L_0	260 mH	780 mH	1000 mH	1000 mH

Terminal CH1(11,12) CH2(13,14)
Digital output:

 Voltage max.
Current max.

NPN output:

 30 VDC
80 mA

Terminal CH1(11,12) CH2(13,14)
Relay output:

 Voltage max.
Power max.
Current max.

Non Hazardous location

 250 VAC / 30 VDC
500 VA / 60 W
2 AAC / 2 ADC

Zone 2 installation

 32 V AC / 30 VDC
64 VA / 60 W
2 AAC / 2 ADC

ATEX Installation drawing



For safe installation of 9202B the following must be observed. The module shall only be installed by qualified personnel who are familiar with the national and international laws, directives and standards that apply to this area.

Year of manufacture can be taken from the first two digits in the serial number.



For Installation in Zone 2 / Division 2 the following must be observed.

The 4501 programming module is to be used solely with PR electronics modules. It is important that the module is undamaged and has not been altered or modified in any way. Only 4501 modules free of dust and moisture shall be installed.

ATEX Certificate KEMA 07 ATEX 0146 X

Marking



II (1) G [Ex ia Ga] IIC/IIB/IIA
 II 3G Ex nA nC IIC T4 Gc
 I (1) D [Ex ia Da] IIIC
 I (M1) [Ex ia Ma] I

Standards

EN 60079-0 : 2009, EN 60079-11 : 2007, EN 60079-15 : 2005
 EN 60079-26 : 2007, EN 61241-11 : 2006

Supply terminal (31,32)

Voltage : 19.2 – 31.2 VDC

Status Relay. terminal (33,34)

Voltage max: 125 VAC / 110 VDC
 Power max: 62.5 VA / 32 W
 Current max: 0.5 A AC / 0.3 ADC

Zone 2 Installation

32 VAC / 32 VDC
 16 VA / 32 W
 0.5 A AC / 1 ADC

Installation notes:

Install in pollution degree 2, overvoltage category II as defined in EN 60664-1

Do not separate connectors when energized and an explosive gas mixture is present.

Do not mount or remove modules from the Power Rail when an explosive gas mixture is present.

Disconnect power before servicing.

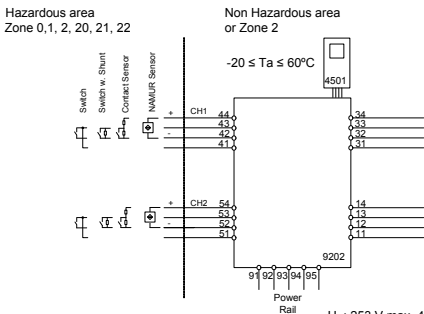
The wiring of unused terminals is not allowed.

In type of protection [Ex ia Da] the parameters for intrinsic safety for gas group IIB are applicable.

For installation in Zone 2, the module shall be installed in an enclosure in type of protection Ex n or Ex e, providing a degree of protection of at least IP54. Cable entry devices and blanking elements shall fulfill the same requirements.

For installation on Power Rail in Zone 2, only Power Rail type 9400 supplied by Power Control Unit type 9410 (Type Examination Certificate KEMA 07ATEX0152 X) is allowed.

LERBAKKEN 10, 8410 RØNDE DENMARK



U_o : 10.6 VDC
 I_o : 12 mA DC
 P_o : 32 mW
 L_o/R_o : 1150 μ H/ Ω

U_m : 253 V max. 400 Hz

Supply / Output:
 (terminal 11,12,13,14)
 (terminal 31,32,33,34)
 (terminal 91,92,93,94,95)

	IIC	IIB	IIA	I
C_o	2.0 μ F	6.0 μ F	18 μ F	90 μ F
L_o	260 mH	780 mH	1000 mH	1000 mH

Ex input:
CH1 (terminal 41,42,43,44)
CH2 (terminal 51,52,53,54)
Terminal CH1(11,12) CH2(13,14)
Digital output: NPN output:

Voltage max 30 VDC

Current max 80 mA

Terminal CH1(11,12) CH2(13,14)
Relay output:
Non Hazardous location

Voltage max. 250 VAC / 30 VDC

Power max. 500 VA / 60 W

Current max. 2 AAC / 2 ADC

Zone 2 installation

32 VAC / 30 VDC

64 VA / 60 W

2 AAC / 2ADC

FM Installation drawing



For safe installation of 9202B the following must be observed. The module shall only be installed by qualified personnel who are familiar with the national and international laws, directives and standards that apply to this area.



For Installation in Zone 2 / Division 2 the following must be observed. The 4501 programming module is to be used solely with PR electronics modules. It is important that the module is undamaged and has not been altered or modified in any way. Only 4501 modules free of dust and moisture shall be installed.

c-FM-us Certificate 3034430

Hazardous area

Class I/II/III, Division 1, Group A,B,C,D,E,F,G
or Class I, Zone 0/1 Group IIC, [AEx ia] IIC or
or Class I, Zone 0/1 Group IIC, [Ex ia] IIC

Simple Apparatus or
Intrinsically safe apparatus
with entity parameters:

$$V_{max} (U_i) \geq V_t (U_o)$$

$$I_{max} (I_i) \geq I_t (I_o)$$

$$P_i \geq P_t(P_o)$$

$$C_a(C_o) \geq C_{cable} + C_i$$

$$L_a(L_o) \geq L_{cable} + L_i$$

$$U_o / V_t: 10.6 V$$

$$I_o / I_{sc}: 12 mA$$

$$P_o/P_i: 32 mW$$

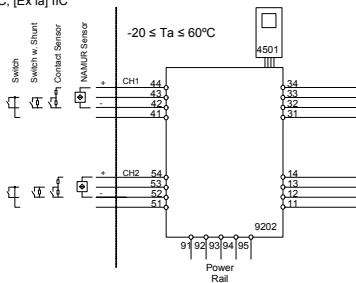
$$L_o/R_o L_a/R_a: 1150 \mu H/\Omega$$

Group	IIC	IIB	IIA
Group	A,B	C,E,F	D,G
C_o/C_a	2.0 μF	6.0 μF	18 μF
L_o/L_a	260 mH	780 mH	1000 mH

Terminal CH1(44,42) CH2(54,52)

Non Hazardous area or

Class I, Division 2, Group A,B,C,D T4
or Class I, Zone 2 Group IIC T4



$$U_m: 253 V \text{ max. } 400 \text{ Hz}$$

Supply / Output
(terminal 11,12,13,14)
(terminal 31,32,33,34)
(terminal 91,92,93,94,95)

LERBAKKEN 10, 8410 RØNDE DENMARK

Terminal (31,32)
Supply:

Voltage	19.2 – 31.2 VDC
Power	max. 3 W

Terminal (33,34)

Status Relay:	Non Hazardous location:	Division 2 or Zone 2 installation:
----------------------	--------------------------------	---

Voltage max.	125 VAC / 110 VDC	32 VAC / 32VDC
--------------	-------------------	----------------

Power max.	62.5 VA / 32 W	16 VA / 32 W
------------	----------------	--------------

Current max.	0.5 AAC / 0.3 ADC	0.5 AAC / 1 ADC
--------------	-------------------	-----------------

Terminal CH1(11,12) CH2(13,14)

Digital output:	NPN output:
------------------------	--------------------

Voltage max.	30 VDC
--------------	--------

Current max.	80 mA
--------------	-------

Terminal CH1(11,12) CH2(13,14)

Relay output:	Non Hazardous location:	Division 2 or Zone 2 installation:
----------------------	--------------------------------	---

Voltage max.	250 VAC / 30VDC	32 VAC / 30VDC
--------------	-----------------	----------------

Power max.	500 VA / 60W	64 VA / 60 W
------------	--------------	--------------

Current max.	2 AAC / 2ADC	2 AAC / 2 ADC
--------------	--------------	---------------

Installation notes:

The installation and wiring shall be in accordance with the Canadian Electrical Code for Canada and National Electrical Code NFPA 70, Article 500 or 505 for installation in USA.

The module must be supplied from a Power Supply having double or reinforced insulation.

The use of stranded wires is not permitted for mains wiring except when wires are fitted with cable ends.

For installation on the 9400 Power Rail the power must be supplied from Power Control Module Unit 9410.

Install in pollution degree 2, overvoltage category II.

The module must be installed in an enclosure suitable for the environment for which it is used.

For installation in Zone 2 or Division 2, the module must be installed in a suitable outer enclosure according to the regulations in the CEC for Canada or NEC for USA.

The module is galvanically isolated and does not require grounding.

Use 60 / 75 °C copper conductors with wire size AWG: (26-14).

Warning: Substitution of components may impair intrinsic safety and / or suitability for Div. 2 / Zone 2.

Warning: To prevent ignition of explosive atmospheres, disconnect power before servicing and do not separate connectors when energized and an explosive gas mixture is present.

Warning: Do not mount or remove modules from the Power Rail when an explosive gas mixture is present.

SAFETY MANUAL

PULSE ISOLATOR

9202

This safety manual is valid for the following product versions:

9202-002

9202-003

0. CONTENTS

1. Observed standards	2
2. Acronyms and abbreviations	2
3. Purpose of the product	3
4. Assumptions and restrictions for use of the product.....	3
4.1 Basic safety specifications	3
4.2 Associated equipment.....	3
4.2.1 Relay output.....	3
4.2.2 Opto output.....	3
4.2.3 Field device.....	3
4.3 Failure rates	3
4.4 Safe parameterisation.....	4
4.5 Installation in hazardous areas	4
5. Functional specification of the safety functions.....	4
6. Functional specification of the non-safety functions	4
7. Safety parameters	4
8. Hardware and software configuration.....	5
9. Failure category.....	5
10. Periodic proof test procedure	5
11. Procedures to repair or replace the product.....	5
12. Maintenance.....	5
13. Documentation for routing diagram	6
13.1 In general	6
13.2 Further explanations.....	6
13.2.1 Password protection	6
13.2.2 Cable fault information via display front 4501	6
13.4 Advanced functions.....	6
13.4.1 Display setup	7
13.4.2 Password	7
13.4.3 Language	7
13.4.4 Power rail	7
13.4.5 Safety integrity level.....	7
14 Safe parameterisation - user responsibility.....	8
14.1 Safety-related configuration parameters.....	8
14.2 Verification procedure.....	8
14.2.1 If no password is set.....	8
14.2.2 If password is set.....	9
14.3 Functional test	9
15 Fault reaction and restart condition	9
16 User interface	10
16.1 Scrolling help texts in display line 3.....	10
16.2 Routing diagram.....	11
16.3 Routing diagram - Advanced settings (ADV.SET).....	12
17. Connections diagram	13

1. Observed standards

Standard	Description
IEC 61508	Functional Safety of electrical / electronic / programmable electronic safety-related systems
IEC 61508-2:2000	Part 2: Requirements for electrical / electronic / programmable electronic safety-related systems
IEC 61508-3:1998	Part 3: Software requirements
IEC 61326-3-1:2008	Immunity requirements for safety-related systems

2. Acronyms and abbreviations

Acronym / Abbreviation	Designation	Description
Element		Term defined by IEC 61508 as “part of a subsystem comprising a single component or any group of components that performs one or more element safety functions”
PFD	Probability of Failure on Demand	This is the likelihood of dangerous safety function failures occurring on demand.
PFH	Probability of dangerous Failure per Hour	The term “Probability” is misleading, as IEC 61508 defines a Rate.
SFF	Safe Failure Fraction	Safe Failure Fraction summarises the fraction of failures which lead to a safe state and the fraction of failures which will be detected by diagnostic measures and lead to a defined safety action.
SIF	Safety Integrity Function	Function that provides fault detection (to ensure the necessary safety integrity for the safety functions)
SIL	Safety Integrity Level	The international standard IEC 61508 specifies four discrete safety integrity levels (SIL 1 to SIL 4). Each level corresponds to a specific probability range regarding the failure of a safety function.

3. Purpose of the product

Pulse isolator for transmission of signals to the safe area from NAMUR sensors and mechanical switches installed in the hazardous area.

The module can be mounted in the safe area and in zone 2 / div. 2 and receive signals from zone 0, 1, 2, 20, 21 and 22 / Class I/II/III, Div. 1, Gr. A-G.

Error events, including cable breakage, are monitored and signalled via the individual status relay and/or a collective electronic signal via the power rail.

The 9202 has been designed, developed and certified for use in SIL 2 applications according to the requirements of IEC 61508.

4. Assumptions and restrictions for use of the product

4.1 Basic safety specifications

Operational temperature range -20...+60°C

Storage temperature range -20...+85°C

Power supply type, min. Double or reinforced

Supply voltage 19.2...31.2 VDC

Output pulse length, min. 40 µs

Mounting area Zone 2 / Division 2 or safe area

Mounting environment Pollution degree 2 or better

4.2 Associated equipment

4.2.1 Relay output

The relay output shall only be connected to equipment which has a current limiting function of 2 A.

4.2.2 Opto output

The opto output signals are fed to SIL 2 compliant inputs of a safety PLC specified to receive a frequency of 5 kHz and a pulse length down to 40 microseconds or the field device signal pulse length minus 60 microseconds.

4.2.3 Field device

The field device must provide a minimum pulse length of 100 microseconds.

4.3 Failure rates

The basic failure rates from the Siemens standard SN 29500 are used as the failure rate database.

Failure rates are constant, wear-out mechanisms are not included.

External power supply failure rates are not included.

4.4 Safe parameterisation

The user is responsible for verifying the correctness of the configuration parameters. (See section 14 Safe parameterisation - user responsibility).

Manual override may not be used for safety applications.

4.5 Installation in hazardous areas

The IECex Installation drawing, ATEX Installation drawing and FM Installation drawing shall be followed if the products are installed in hazardous areas.

5. Functional specification of the safety functions

Pulse isolator as well as supply of NAMUR sensors and mechanical switches with cable error detection installed in the hazardous area. Cable error detection only works with NAMUR sensors or with the use of external resistors R_S and R_P . See connections diagram at page 13 (switch, cable fault) .

6. Functional specification of the non-safety functions

The status relay (terminal 33 and 34), error signal on power rail (terminal 91) and LED outputs are not suitable for use in any Safety Instrumented Function.

7. Safety parameters

	Relay	Opto
Probability of dangerous Failure per Hour (PFH)	4.66E-8	3.62E-8
	Note ¹ , Note ²	
Probability of failure on demand (PFD) - 1 year proof test interval	2.04E-4	1.58E-4
Proof test interval (10% of loop PFD)	4 years	5 years
Safe Failure Fraction	90%	91%
Demand response time, opto output	<125 μ s	
Demand response time, relay output	<10 ms	
Demand mode	High	
Demand rate	1000 s	
Mean Time To Repair (MTTR)	8 hours	
Diagnostic test interval	10 seconds	
Hardware Fault Tolerance (HFT)	0	
Component Type	B	
SIL capability	SIL 2	
Description of the "Safe State", opto output	High impedance	
Description of the "Safe State", relay output	De-energised	
Relay lifetime (Note ²)	100 000 times	

Note¹: The 9202 contains no lifetime limiting components, therefore the PFH figures are valid for up to 12 years, according to IEC 61508.

Note²: The maximum frequency for Pulse Isolator 9202 with relay output is 20 Hz. The user must calculate the product lifetime with regard to the relay lifetime.

8. Hardware and software configuration.

All configurations of software and hardware versions are fixed from factory, and cannot be changed by end-user or reseller.

This manual only covers products labelled with the product version (or range of versions) specified on the front page.

9. Failure category

Failure category	Failure rates (1/h)	
	Relay	Opto
Fail Safe Detected	0.000E+00	0.000E+00
Fail Safe Undetected	2.897E-07	2.755E-07
Fail Dangerous Detected	1.303E-07	1.356E-07
Fail Dangerous Undetected	4.658E-08	3.618E-08

10. Periodic proof test procedure

Step	Action
1	Bypass the safety PLC or take other appropriate action to avoid a false trip
2	Connect a simulator identical to the input setup
3	Perform an ON / OFF signal for each channel
4	Observe whether the output channel acts as expected
5	Restore the input terminals to full operation
6	Remove the bypass from the safety PLC or otherwise restore normal operation

This test will detect approximately 95% of possible “du” (dangerous undetected) failures in the pulse isolator. The proof test is equivalent to the functional test.

11. Procedures to repair or replace the product

Any failures that are detected and that compromise functional safety should be reported to the sales department at PR electronics A/S.

Repair of the module and replacement of circuit breakers must be done by PR electronics A/S only.

12. Maintenance

No maintenance required.

13. Documentation for routing diagram

The routing diagram is shown in section 16.2.

13.1 In general

When configuring the 9202, you will be guided through all parameters and you can choose the settings which fit the application. For each menu there is a scrolling help text which is automatically shown in line 3 on the display.

Configuration is carried out by use of the 3 function keys:

- ⤴ will increase the numerical value or choose the next parameter
- ⤵ will decrease the numerical value or choose the previous parameter
- Ⓞ will save the chosen value and proceed to the next menu

When configuration is completed, the display will return to the default state 1.0.

Pressing and holding Ⓞ will return to the previous menu or return to the default state (1.0) without saving the changed values or parameters.

If no key is activated for 1 minute, the display will return to the default state (1.0) without saving the changed values or parameters.

13.2 Further explanations

13.2.1 Password protection

Access to the configuration can be blocked by assigning a password. The password is saved in the module in order to ensure a high degree of protection against unauthorised modifications to the configuration. Default password 2008 allows access to all configuration menus.

Password protection is mandatory in SIL applications.

13.2.2 Cable fault information via display front 4501

Cable fault (see limits in the table) is displayed as CA.BR (cable break) or CA.SH (cable short-circuited). Cable fault is shown independently for each channel but the configuration is common for both channels. In case of cable fault the backlight flashes. This can be reset by pressing the Ⓞ key. When the cable fault has been remedied, the module will return to normal operation.

13.4 Advanced functions

The unit gives access to a number of advanced functions which can be reached by answering "Yes" to the point "adv.set".

13.4.1 Display setup

Here you can adjust the brightness contrast and the backlight. Setup of tag numbers with 5 alphanumerics. Selection of functional readout in line 2 and 3 of the display - choose between readout of digital output or tag no. When selecting "ALT" the readout toggles between digital output and tag no.

13.4.2 Password

Here you can choose a password between 0000 and 9999 in order to protect the unit against unauthorised modifications to the configuration. The unit is delivered default without password.

13.4.3 Language

In the menu "LANG" you can choose between 7 different language versions of help texts that will appear in the menu. You can choose between UK, DE, FR, IT, ES, SE and DK.

13.4.4 Power rail

In the menu "RAIL" you can choose if errors in the module are transmitted to the central surveillance in the PR 9410 power control unit.

13.4.5 Safety integrity level

See Safe parameterisation - user responsibility

14 Safe parameterisation - user responsibility

14.1 Safety-related configuration parameters

Parameters	Value	Description
CH1.FUN	DIR / INV	Direct / inverted channel function
CH2.FUN.	DIR / INV	Direct / inverted channel function
PASSW	0 - 9999	New password

The above safety-related configuration parameters are marked in red text in the routing diagrams and must be verified by the user in a SIL-configuration.

14.2 Verification procedure

The verification is done using the display / programming front PR 4501 by following the procedure described below.

14.2.1 If no password is set

	Action	Display shows
1	Press OK	ADV.SET
2	Set (ADV.SET) to Yes and press OK	DISP SETUP
3	Step down to (SIL SETUP) and press OK	EN.SIL
4	Set (EN SIL) to YES and press OK	NEW.PASS
5	Set password to a number between 0 and 9999 and press OK (At this time the module starts operating in SIL mode with the entered configuration parameters!)	Verify⇒OPEN "briefly" ⇒LOCK*
6	Verify Channel 1 function and press OK	CH1.FUN
7	Verify Channel 2 function and press OK	CH2:FUN
8	Verify password and press OK	PASSW
9	Verify SIL and press OK	

* Open is shown briefly in the display.

14.2.2 If password is set

	Action	Display shows
1	Press OK	PASSW
2	Enter password and press OK	ADV.SET
3	Set (ADV.SET) to Yes and press OK	DISP SETUP
4	Step down to (SIL SETUP) and press OK	EN.SIL
5	Set (EN SIL) to YES and press OK (At this time the module starts operating in SIL mode with the entered configuration parameters!)	Verify⇒OPEN "briefly" ⇒LOCK*
6	Verify Channel 1 function and press OK	CH1.FUN
7	Verify Channel 2 function and press OK	CH2:FUN
8	Verify password and press OK	PASSW
9	Verify SIL and press OK	

* Open is shown briefly in the display

14.3 Functional test

The user is responsible to make a functional test after verification of safety parameters. The procedure for periodic proof test described in section 10 shall be used.

15 Fault reaction and restart condition

When the 9202 detects a fault the output will go to Safe State, in which the opto output will go to "high impedance" or the relay output will go to "de-energised". If the fault is application-specific (cable error detection) the 9202 will restart when the fault has been corrected.

For device faults there are 2 ways of bringing the module out of Safe State.

1. Power cycle the module.
2. Bring the module out of SIL mode (choose "NO" in the menu point "EN.SIL"), and set it back to SIL mode again (choose "YES" in the menu point "EN.SIL" and verify the configuration).

16 User interface

16.1 Scrolling help texts in display line 3

- [01] Set correct password [PASS]
- [02] Enter advanced setup [ADV.SET]
- [03] Enable cable short circuit error indication [CA.SH]
- [04] Enable cable breakage error indication? [CA.BR]
- [05] Enable rail status signal output? [RAIL.ER]
- [06] Enter language setup [SETUP]
- [6/1] Enter password setup [SETUP]
- [6/2] Enter display setup [SETUP]
- [6/3] Enter rail setup [SETUP]
- [6/4] Enter SIL setup [SETUP]
- [07] Select direct channel function [CH1.FUN] [CH2.FUN]
Select inverted channel function [CH1.FUN] [CH2.FUN]
- [09] Adjust LCD contrast [CONTRA]
- [10] Adjust LCD backlight [LIGHT]
- [11] Write a 5-character channel ["TAGON] ["TAGON]
- [12] Show output state in display [DISP]
Show TAG in display
Alternate shown information in display
- [13] Configuration SIL status (Open / Locked) [CONFIG]
- [14] Enable SIL configuration lock [EN.SIL]
- [15] Enable password protection [EN.PASS]
- [16] Set new password [NEW.PAS]
- [17] Select language [LANGUA]
- [18] Cable short circuit [¹CA.SH] [²OFF]
- [19] Cable breakage [¹ON] [²CA.BR]

16.2 Routing diagram

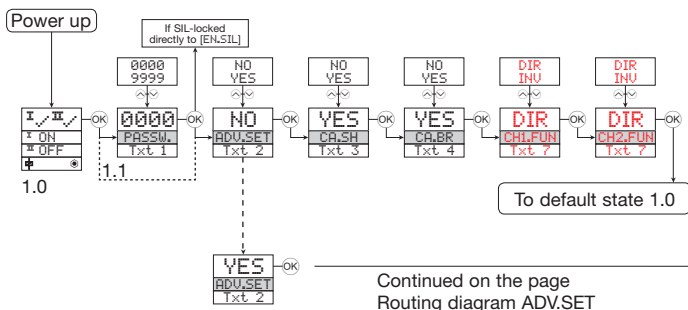
If no key is activated for 1 minute, the display will return to the default state 1.0 without saving configuration changes.

⊖ Increase value / choose next parameter

⊕ Decrease value / choose previous parameter

⊙ Save the chosen value and proceed to the next menu

Hold ⊙ Back to previous menu / return to menu 1.0 without saving



Continued on the page
Routing diagram ADV.SET

1.0 = Default state

Line 1 shows status for channel 1 and channel 2.

Line 2 shows status for sensor 1.

Line 3 shows status for sensor 2.

Line 4 indicates whether the module is SIL-locked.

1.1 = Only if password-protected

1.2 = If password has been set.

Line 1 symbols:

⊖/⊕ = OK. Flashing ⊖/⊕ = error

Line 2 and 3 symbols:

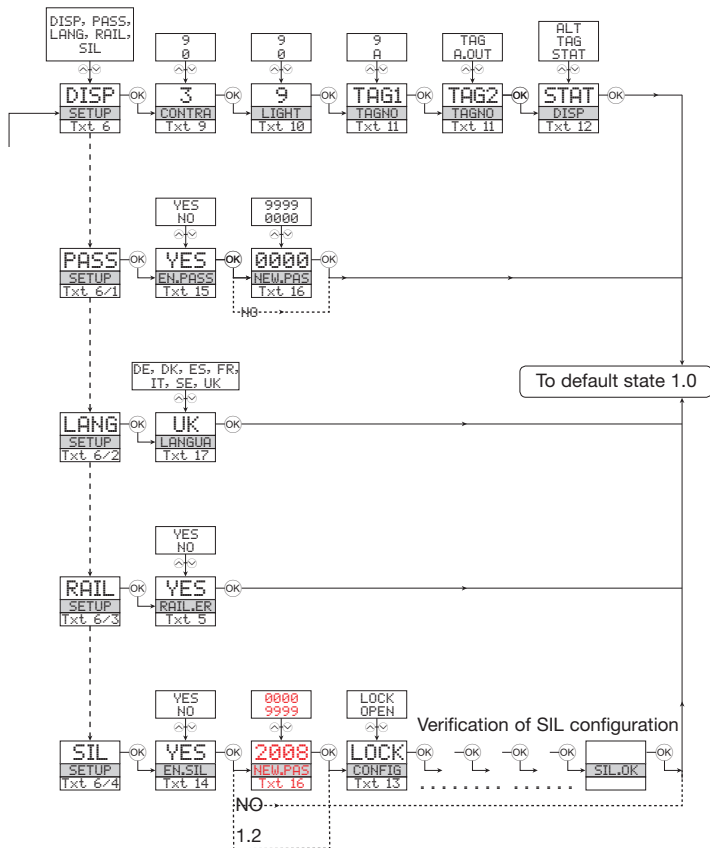
Input frequency > 1 Hz = ⊖ ⊖ ⊖ ⊖

Line 4 symbols:

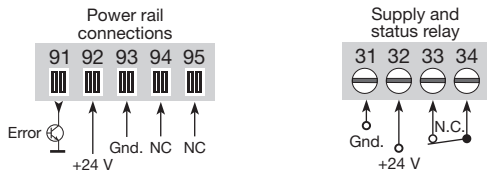
Static dot = SIL-locked

Flashing dot = not SIL-locked

16.3 Routing diagram - Advanced settings (ADV.SET)

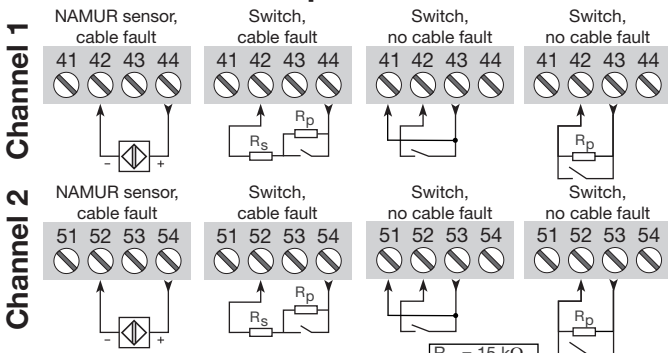


17. Connections diagram

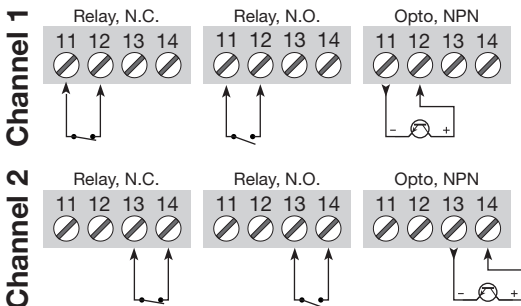


NC = no connection

Inputs:



Outputs:





Displays Programmable displays with a wide selection of inputs and outputs for display of temperature, volume and weight, etc. Feature linearisation, scaling, and difference measurement functions for programming via PReset software.



Ex interfaces Interfaces for analogue and digital signals as well as HART® signals between sensors / I/P converters / frequency signals and control systems in Ex zone 0, 1 & 2 and for some modules in zone 20, 21 & 22.



Isolation Galvanic isolators for analogue and digital signals as well as HART® signals. A wide product range with both loop-powered and universal isolators featuring linearisation, inversion, and scaling of output signals.



Temperature A wide selection of transmitters for DIN form B mounting and DIN rail modules with analogue and digital bus communication ranging from application-specific to universal transmitters.



Universal PC or front programmable modules with universal options for input, output and supply. This range offers a number of advanced features such as process calibration, linearisation and auto-diagnosis.



- 
 www.preelectronics.fr
 sales@preelectronics.fr
- 
 www.preelectronics.de
 sales@preelectronics.de
- 
 www.preelectronics.es
 sales@preelectronics.es
- 
 www.preelectronics.it
 sales@preelectronics.it
- 
 www.preelectronics.se
 sales@preelectronics.se
- 
 www.preelectronics.co.uk
 sales@preelectronics.co.uk
- 
 www.preelectronics.com
 sales@preelectronics.com
- 
 www.preelectronics.cn
 sales@preelectronics.cn

Head office

Denmark
 PR electronics A/S
 Lerbakken 10
 DK-8410 Rønne

www.preelectronics.com
sales@preelectronics.dk
 tel. +45 86 37 26 77
 fax +45 86 37 30 85



QUALITY SYSTEM AND ENVIRONMENTAL
 MEDICAL MANAGEMENT SYSTEM
 DS/EN ISO 9001
 DS/EN ISO 14001

