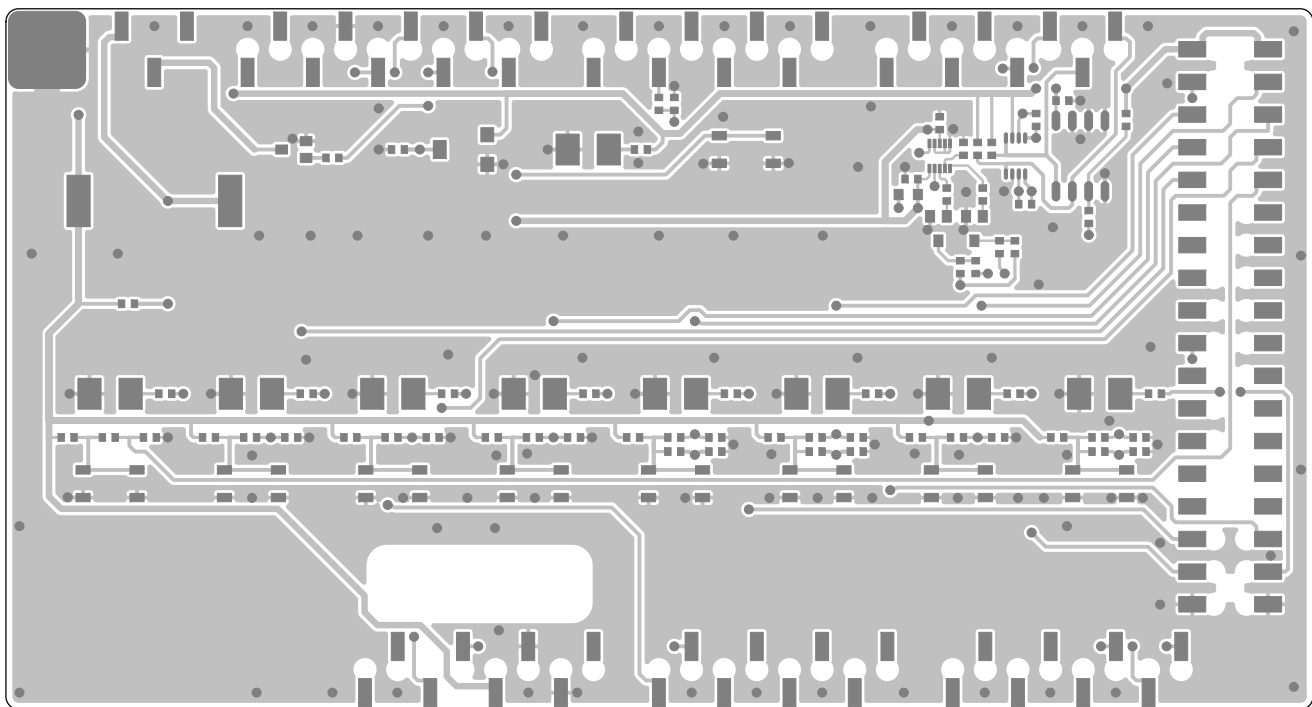


mm 10 20 30 40 50 60 70 80 90 100



Lerbakken 10  
DK-8410 Rønede  
Denmark

Drawing Name

5824-1-V2R0-LA1

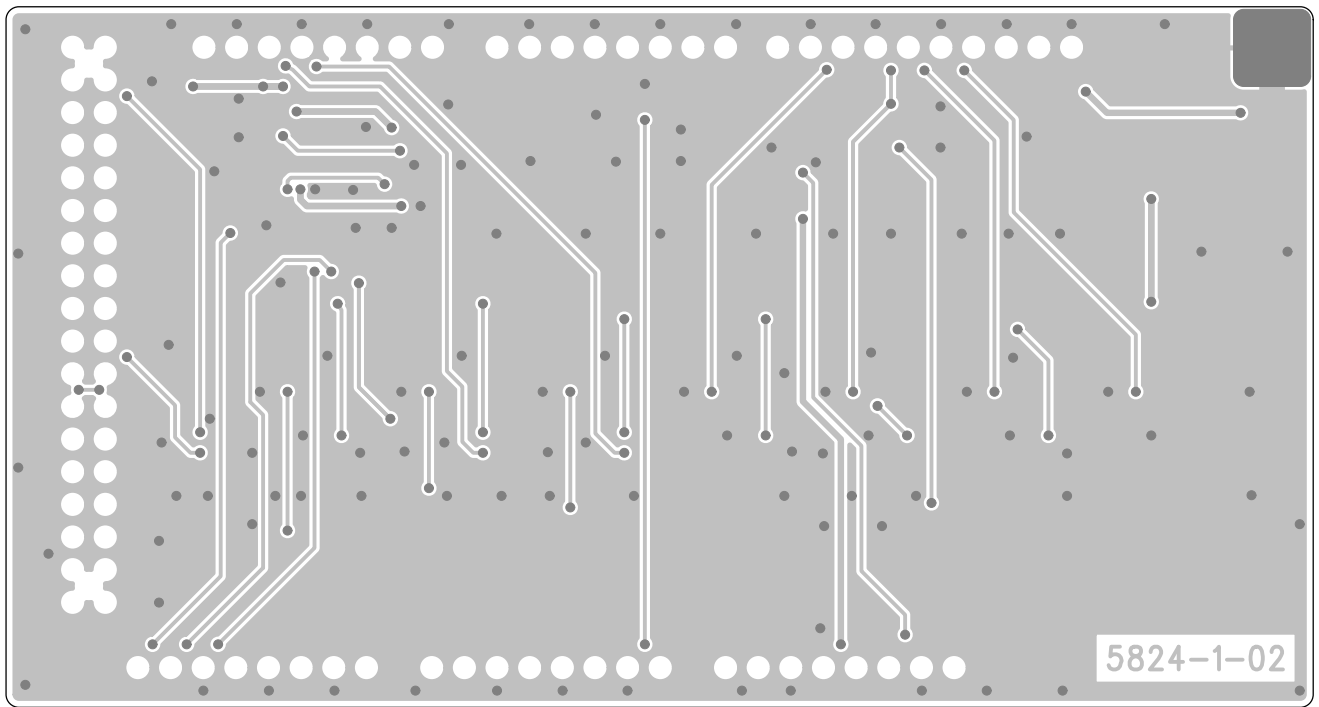
Drawing Type

Layout on layer 1 of 2

Copyright PR electronics A/S. All rights reserved. Reproduction without the written permission of PR electronics A/S is strictly forbidden. Confidential and proprietary information is contained within and must be handled accordingly.

Version	Date	PCB	Schematic	Design	Responsible
Current	2016-05-03	5824-1-02	5824-1-V2R0	RC	BSK
Previous	2015-08-04	5824-1-01	5824-1-V1R0	GP	BSK

mm 10 20 30 40 50 60 70 80 90 100



Lerbakken 10  
DK-8410 Rønne  
Denmark

Drawing Name

5824-1-V2R0-LA2

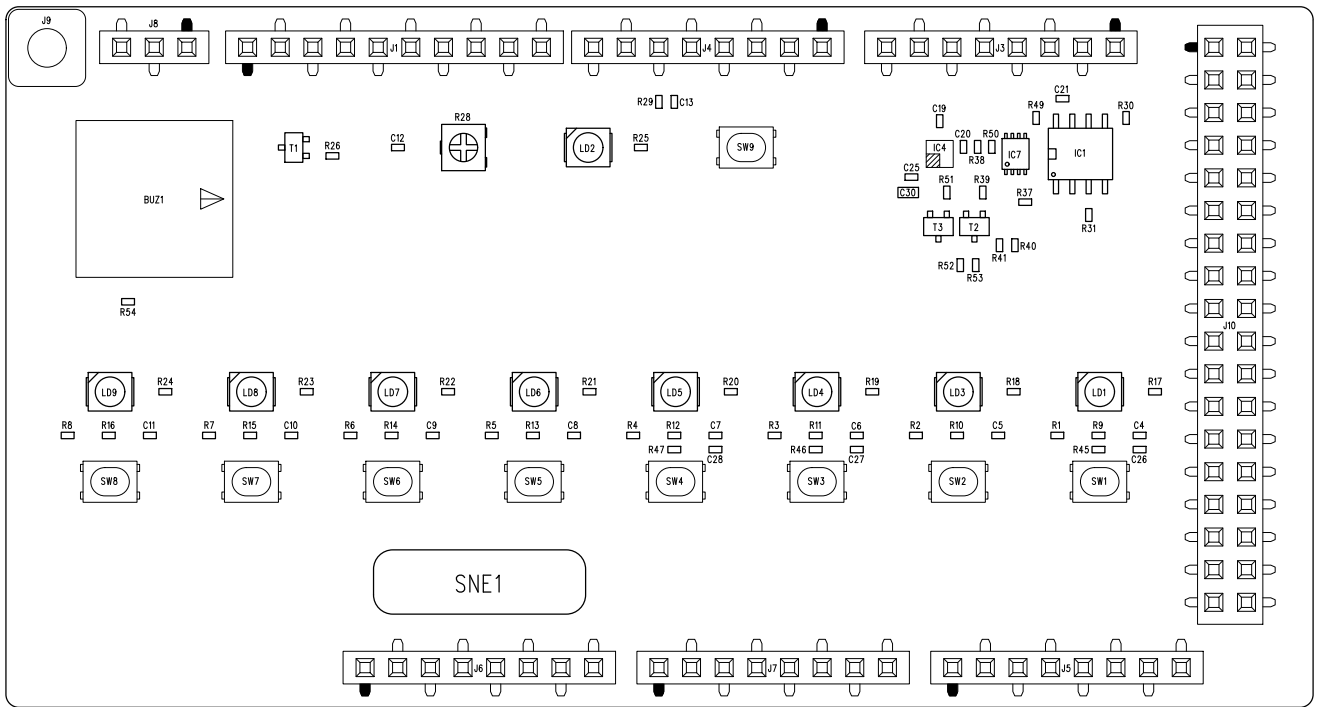
Drawing Type

Layout on layer 2 of 2

Copyright PR electronics A/S. All rights reserved. Reproduction without the written permission of PR electronics A/S is strictly forbidden. Confidential and proprietary information is contained within and must be handled accordingly.

Version	Date	PCB	Schematic	Design	Responsible
Current	2016-05-03	5824-1-02	5824-1-V2R0	RC	BSK
Previous	2015-08-04	5824-1-01	5824-1-V1R0	GP	BSK

mm 10 20 30 40 50 60 70 80 90 100



Lerbakken 10  
DK-8410 Rønne  
Denmark

Drawing Name

5824-1-V2R0-CPT

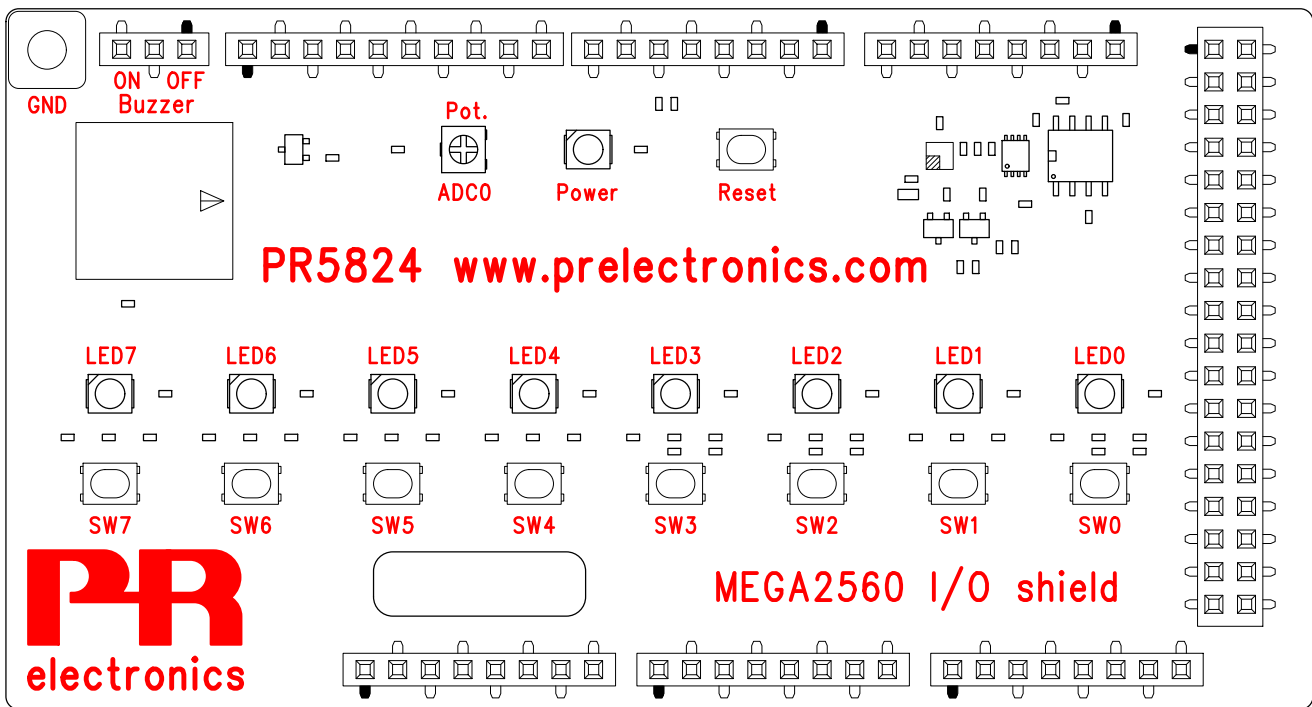
Drawing Type

Components on Top side (layer 1)

Copyright PR electronics A/S. All rights reserved. Reproduction without the written permission of PR electronics A/S is strictly forbidden. Confidential and proprietary information is contained within and must be handled accordingly.

Version	Date	PCB	Schematic	Design	Responsible
Current	2016-05-03	5824-1-02	5824-1-V2R0	RC	BSK
Previous	2015-08-04	5824-1-01	5824-1-V1R0	GP	BSK

mm 10 20 30 40 50 60 70 80 90 100



Lerbakken 10  
DK-8410 Rønne  
Denmark

Drawing Name

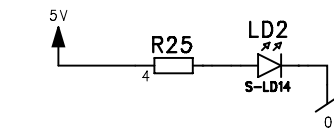
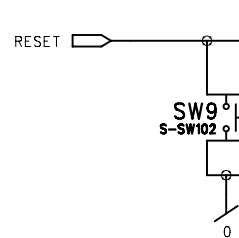
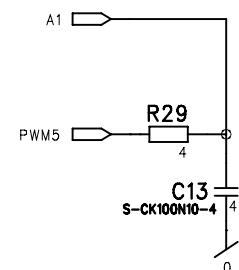
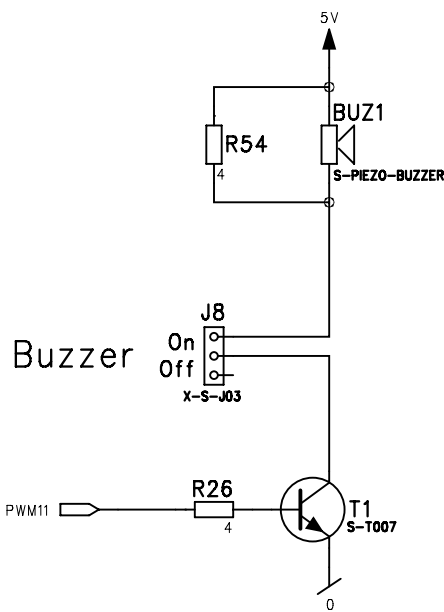
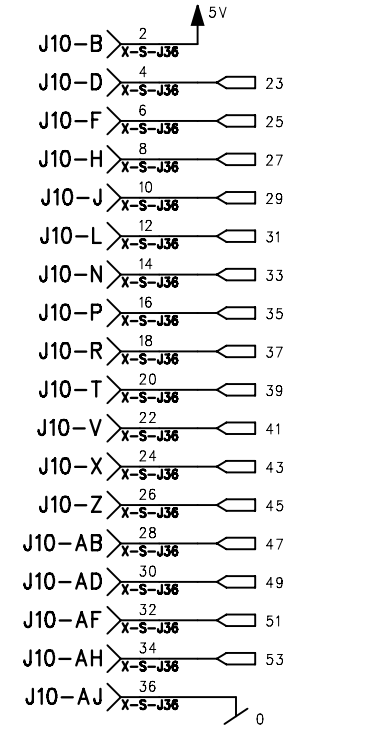
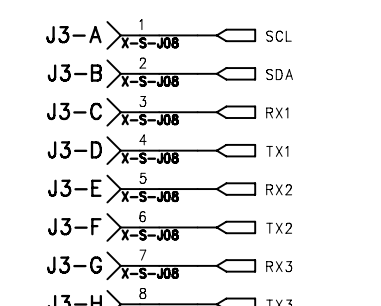
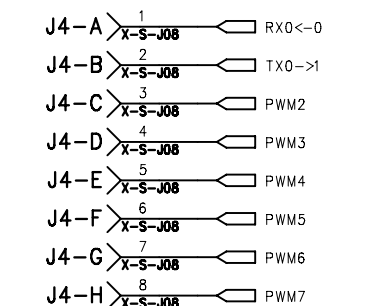
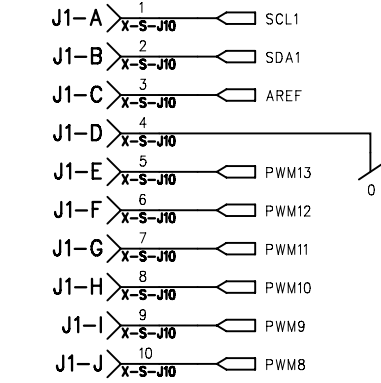
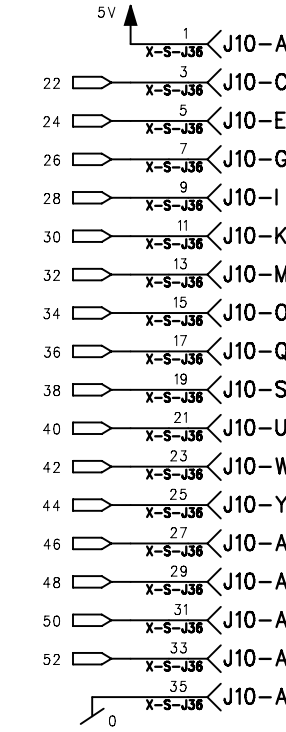
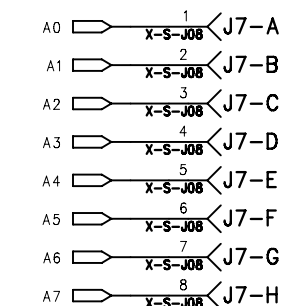
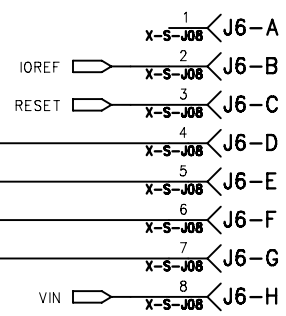
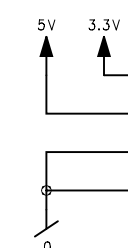
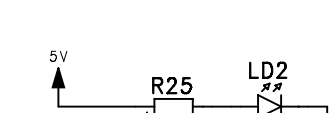
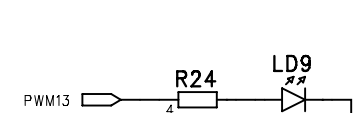
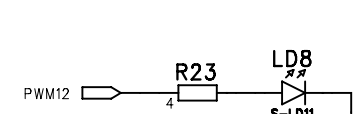
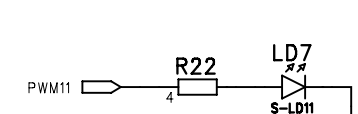
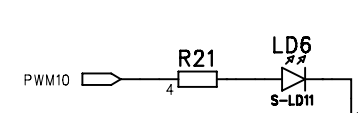
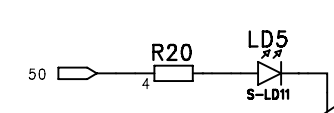
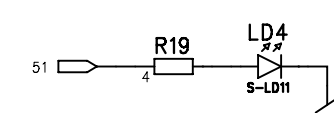
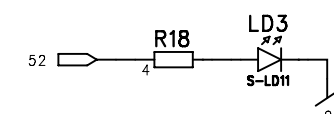
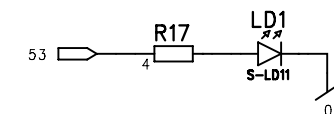
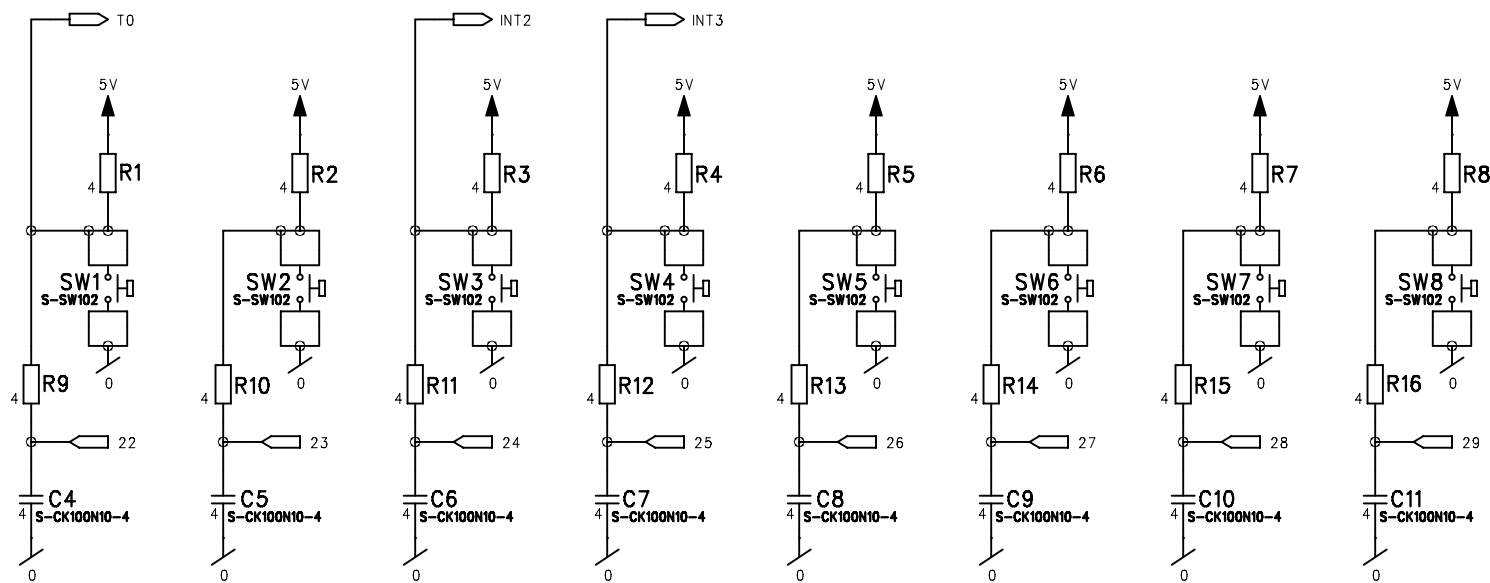
5824-1-V2R0-CNT

Drawing Type

Component Notation Top side (layer 1)

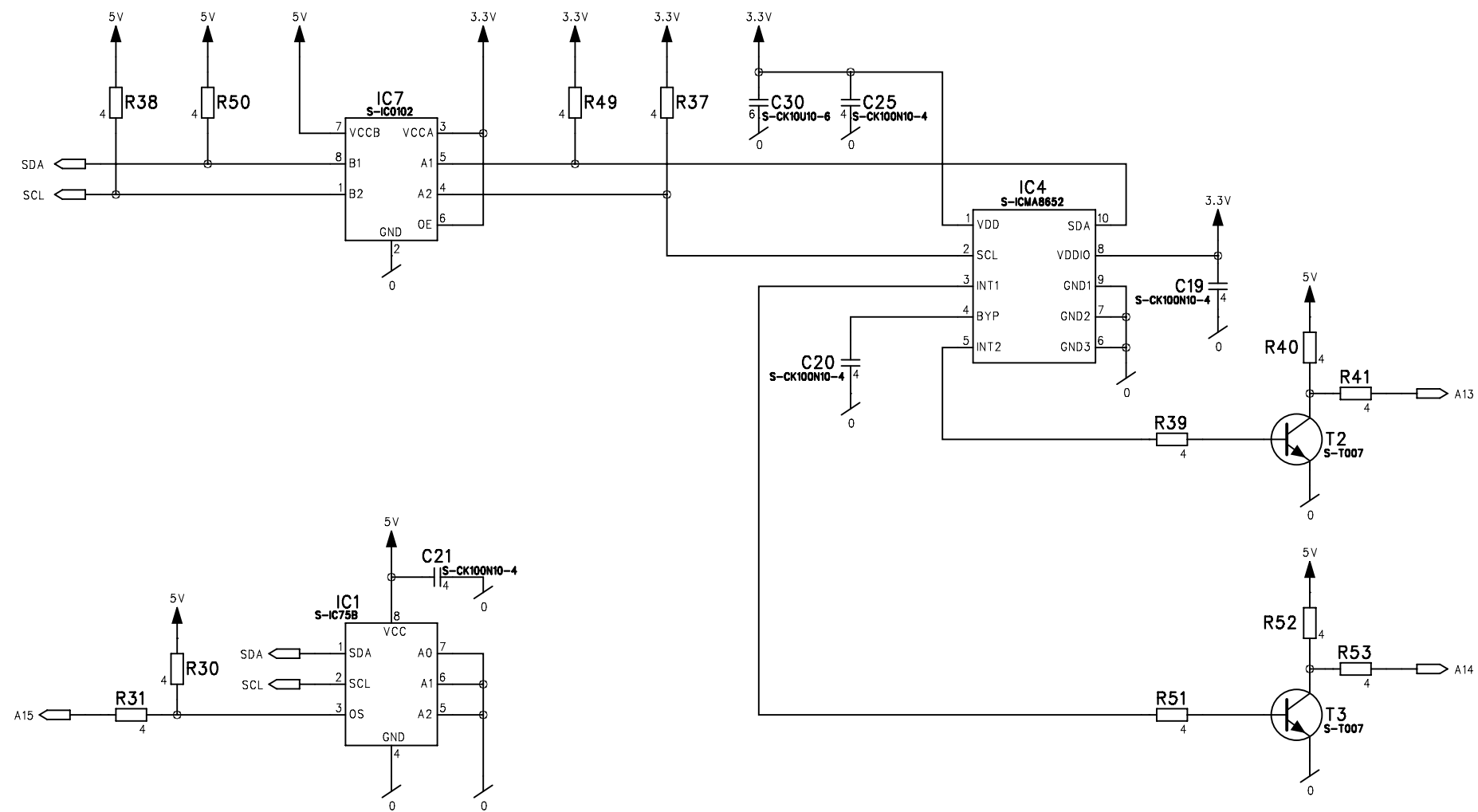
Copyright PR electronics A/S. All rights reserved. Reproduction without the written permission of PR electronics A/S is strictly forbidden. Confidential and proprietary information is contained within and must be handled accordingly.

Version	Date	PCB	Schematic	Design	Responsible
Current	2016-05-03	5824-1-02	5824-1-V2R0	RC	BSK
Previous	2015-08-04	5824-1-01	5824-1-V1R0	GP	BSK

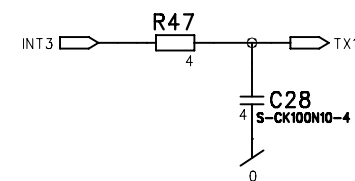
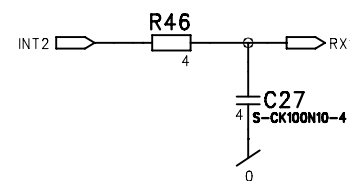
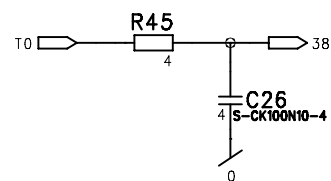


Symbol-table	
u	Micro MELF
m	Mini MELF
M	MELF
4	0402 Chip
6	0603 Chip
8	0805 Chip
12	1206 Chip
1W	1W SMD
L	Leaded

Version	Date	Schematic	PCB	Design	Responsible
Current	2016-05-03	5824-1-V2R0	5824-1-02	RC	BSK
Previous	2015-08-04	5824-1-V1R0	5824-1-01	GP	BSK



Symbol-table	
u	= Micro MELF
m	= Mini MELF
M	= MELF
4	= 0402 Chip
6	= 0603 Chip
8	= 0805 Chip
12	= 1206 Chip
1W	= 1W SMD
L	= Leaded



Version	Date	Schematic	PCB	Design	Responsible
Current	2016-05-03	5824-1-V2R0	5824-1-02	RC	BSK
Previous	2015-08-04	5824-1-V1R0	5824-1-01	GP	BSK