

PERFORMANCE  
MADE  
SMARTER

Product manual

**2914**

***2-wire room temperature  
transmitter***



EAC CE

TEMPERATURE | I.S. INTERFACES | COMMUNICATION INTERFACES | MULTIFUNCTIONAL | ISOLATION | DISPLAY

No. 2914V103-UK  
From serial no.: 219032001

**PR**  
electronics

# 6 Product Pillars

## *to meet your every need*

### Individually outstanding, unrivalled in combination

With our innovative, patented technologies, we make signal conditioning smarter and simpler. Our portfolio is composed of six product areas, where we offer a wide range of analog and digital devices covering over a thousand applications in industrial and factory automation. All our products comply with or surpass the highest industry standards, ensuring reliability in even the harshest of environments and have a 5-year warranty for greater peace of mind.



Temperature

Our range of temperature transmitters and sensors provides the highest level of signal integrity from the measurement point to your control system. You can convert industrial process temperature signals to analog, bus or digital communications using a highly reliable point-to-point solution with a fast response time, automatic self-calibration, sensor error detection, low drift, and top EMC performance in any environment.



I.S. Interface

We deliver the safest signals by validating our products against the toughest safety standards. Through our commitment to innovation, we have made pioneering achievements in developing I.S. interfaces with SIL 2 Full Assessment that are both efficient and cost-effective. Our comprehensive range of analog and digital intrinsically safe isolation barriers offers multifunctional inputs and outputs, making PR an easy-to-implement site standard. Our backplanes further simplify large installations and provide seamless integration to standard DCS systems.



Communication

We provide inexpensive, easy-to-use, future-ready communication interfaces that can access your PR installed base of products. All the interfaces are detachable, have a built-in display for readout of process values and diagnostics, and can be configured via push-buttons. Product specific functionality includes communication via Modbus and Bluetooth and remote access using our PR Process Supervisor (PPS) application, available for iOS and Android.



Multifunction

Our unique range of single devices covering multiple applications is easily deployable as your site standard. Having one variant that applies to a broad range of applications can reduce your installation time and training, and greatly simplify spare parts management at your facilities. Our devices are designed for long-term signal accuracy, low power consumption, immunity to electrical noise and simple programming.



Isolation

Our compact, fast, high-quality 6 mm isolators are based on microprocessor technology to provide exceptional performance and EMC-immunity for dedicated applications at a very low total cost of ownership. They can be stacked both vertically and horizontally with no air gap separation between units required.



Display

Our display range is characterized by its flexibility and stability. The devices meet nearly every demand for display readout of process signals and have universal input and power supply capabilities. They provide a real-time measurement of your process value no matter the industry and are engineered to provide a user-friendly and reliable relay of information, even in demanding environments.

# 2-wire room temperature transmitter 2914

## Table of contents

Application .....	4
Technical characteristics .....	4
Input .....	4
Output .....	4
Block diagram .....	5
Order .....	6
Electrical specifications .....	6
Mechanical specifications .....	7
Document history .....	8

# 2-wire room temperature transmitter

## 2914

- Room temperature measurement
- Complete with sensor and transmitter
- 4...20 mA output in 2-wire connection
- Easy mounting
- Measurement range 0...70°C
- Supply 8...35 VDC

### Application

- Electronic temperature measurement in for instance control rooms, offices, heating plants, factories, living rooms, and similar dry rooms.
- Suitable as a transmitter for controllers, trip amplifiers, displays, or superior SCADA systems.

### Technical characteristics

- The device is built around a microprocessor core with an efficient program operation. The basic calibration data and the present set-up are stored in an EEPROM thereby ensuring that the data is not lost or changed at power off.
- A precision Pt100 sensor with a small mass is mounted on the transmitter input thereby achieving a fast response time.
- The room temperature transmitter is protected against polarity reversal.
- The front of the cabinet is made of white ABS plastic, the bottom is made of black PBT plastic.
- The bottom of the cabinet can be attached to a wall by two screws and the front is then clipped on to the bottom plate.
- Visible cable connection through a 10 mm cutout in the front of the cabinet. Covered cable connection through a 16 mm cutout in the bottom plate of the cabinet.

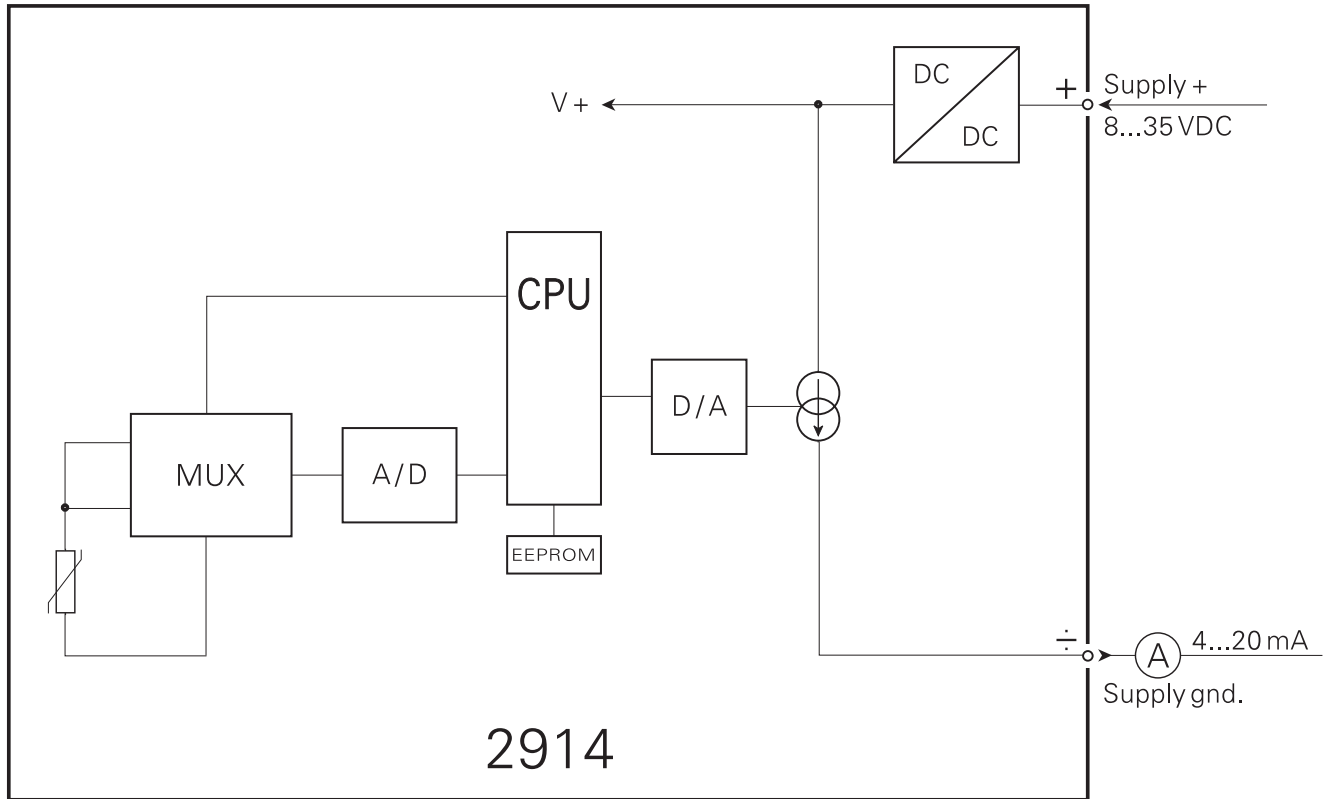
### Input

- The input is mounted at the factory.

### Output

- The 2-wire output signal of 4...20 mA is proportional and linear to the temperature value that influences the built-in sensor. The output signal represents the temperature range (span) to which the transmitter has been set up. A span of 0...50°C means that the output signal is 4 mA at 0°C and 20 mA at 50°C. The temperature range must be specified when ordering.
- A reversed output signal of 20...4 mA can be ordered.
- A number of different sensor error detection methods are offered, for instance max.  $\geq 23$  mA.

# Block diagram



## Order

Type	Measurement range	Output	Sensor error value
2914	0...50°C : A	Special : 0	To max., $\geq 23$ mA : A
	0...70°C : B	4...20 mA : 2	To min., $\leq 3.8$ mA : B
	Special : X	20...4 mA : 9	Special : X

## Electrical specifications

### Environmental conditions

Operating temperature . . . . .	0°C to +70°C
Calibration temperature . . . . .	20...28°C
Relative humidity . . . . .	< 95% RH (non-cond.)
Protection degree . . . . .	IP30

### Mechanical specifications

Dimensions (HxWxD) . . . . .	70 x 121 x 25 mm
Weight approx. . . . .	95 g
Max. wire size. . . . .	1 x 1.5 mm <sup>2</sup>

### Common electrical specifications

Supply voltage . . . . .	8.0...35 VDC
Internal consumption . . . . .	25 mW...0.8 W
Voltage drop . . . . .	8 VDC
Warm-up time. . . . .	5 min.
Signal / noise ratio. . . . .	Min. 60 dB
Response time . . . . .	10 s (@ 0,5 m/s)
Signal dynamics, input . . . . .	17 bit
Signal dynamics, output . . . . .	16 bit
Temperature coefficient. . . . .	< $\pm 0.01^\circ\text{C}/^\circ\text{C}_{\text{amb}}$ .
Linearity error . . . . .	< $\pm 0.1\%$ of span
Effect of supply voltage change. . . . .	$\leq \pm 0.005\%$ of span / VDC
EMC immunity influence . . . . .	< $\pm 0.5\%$ of span

### Input

Measurement range . . . . .	0...70°C
Min. measurement range (span) . . . . .	25°C
Max. offset . . . . .	50% of max.°C
Sensor current . . . . .	> 0.2 mA, < 0.4 mA
Basic accuracy . . . . .	< $\pm 0.3^\circ\text{C}$

### Output

Signal range. . . . .	4...20 mA
Min. signal range. . . . .	16 mA
Max. offset . . . . .	20% of max. mA
Updating time . . . . .	135 ms
Load resistance. . . . .	$\leq (V_{\text{supply}} - 8) / 0.023$ [ $\Omega$ ]
Load stability . . . . .	< $\pm 0.01\%$ of span/100 $\Omega$

### Sensor error detection

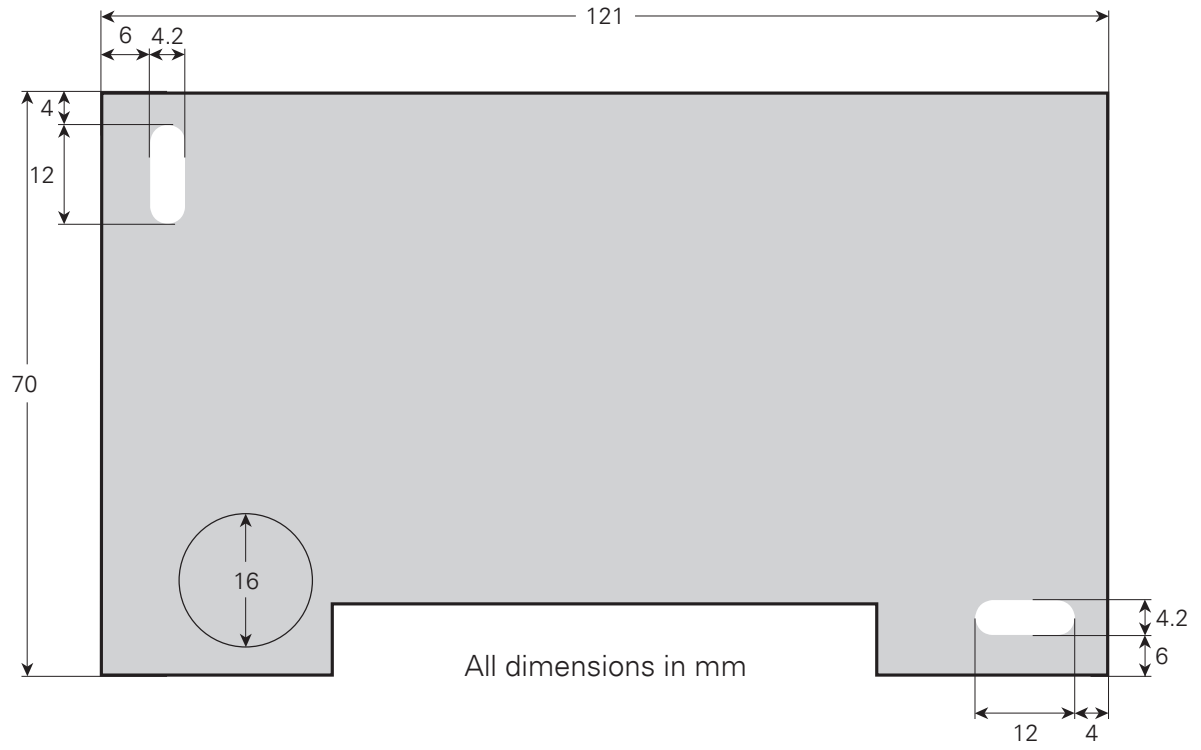
Please order exact value . . . . .	3.5...23 mA
NAMUR NE43 Upscale . . . . .	23 mA
NAMUR NE43 Downscale. . . . .	3.5 mA
To max. . . . .	$\geq 23$ mA
To min. . . . .	$\leq 3.8$ mA
No function . . . . .	Not defined

### Observed authority requirements

EMC. . . . .	2014/30/EU
RoHS. . . . .	2011/65/EU
EAC . . . . .	TR-CU 020/2011

Of span = of the presently selected range

# Mechanical specifications



## Document history

The following list provides notes concerning revisions of this document.

<b>Rev. ID</b>	<b>Date</b>	<b>Notes</b>
102	2311	UKCA added.
103	2616	UKCA discontinued.

# We are near you, *all over the world*

**Our trusted red boxes are supported wherever you are**

All our devices are backed by expert service and a 5-year warranty. With each product you purchase, you receive personal technical support and guidance, day-to-day delivery, repair without charge within the warranty period and easily accessible documentation.

We are headquartered in Denmark, and have offices and authorized partners the world over. We are a local

business with a global reach. This means that we are always nearby and know your local markets well. We are committed to your satisfaction and provide **PERFORMANCE MADE SMARTER** all around the world.

For more information on our warranty program, or to meet with a sales representative in your region, visit [prelectronics.com](http://prelectronics.com).

# Benefit today from *PERFORMANCE MADE SMARTER*

PR electronics is the leading technology company specialized in making industrial process control safer, more reliable and more efficient. Since 1974, we have been dedicated to perfecting our core competence of innovating high precision technology with low power consumption. This dedication continues to set new standards for products communicating, monitoring and connecting our customers' process measurement points to their process control systems.

Our innovative, patented technologies are derived from our extensive R&D facilities and from having a great understanding of our customers' needs and processes. We are guided by principles of simplicity, focus, courage and excellence, enabling some of the world's greatest companies to achieve PERFORMANCE MADE SMARTER.