

PERFORMANCE  
MADE  
SMARTER

# Product manual **4104**

## *Universal uni-/bipolar signal transmitter*



TEMPERATURE | I.S. INTERFACES | COMMUNICATION INTERFACES | MULTIFUNCTIONAL | ISOLATION | DISPLAY

No. 4104V103-UK  
From serial no.: 191056001

**PR**  
electronics

# 6 Product Pillars

## *to meet your every need*

### Individually outstanding, unrivalled in combination

With our innovative, patented technologies, we make signal conditioning smarter and simpler. Our portfolio is composed of six product areas, where we offer a wide range of analog and digital devices covering over a thousand applications in industrial and factory automation. All our products comply with or surpass the highest industry standards, ensuring reliability in even the harshest of environments and have a 5-year warranty for greater peace of mind.



Temperature

Our range of temperature transmitters and sensors provides the highest level of signal integrity from the measurement point to your control system. You can convert industrial process temperature signals to analog, bus or digital communications using a highly reliable point-to-point solution with a fast response time, automatic self-calibration, sensor error detection, low drift, and top EMC performance in any environment.



I.S. Interface

We deliver the safest signals by validating our products against the toughest safety standards. Through our commitment to innovation, we have made pioneering achievements in developing I.S. interfaces with SIL 2 Full Assessment that are both efficient and cost-effective. Our comprehensive range of analog and digital intrinsically safe isolation barriers offers multifunctional inputs and outputs, making PR an easy-to-implement site standard. Our backplanes further simplify large installations and provide seamless integration to standard DCS systems.



Communication

We provide inexpensive, easy-to-use, future-ready communication interfaces that can access your PR installed base of products. All the interfaces are detachable, have a built-in display for readout of process values and diagnostics, and can be configured via push-buttons. Product specific functionality includes communication via Modbus and Bluetooth and remote access using our PProcess Supervisor (PPS) application, available for iOS and Android.



Multifunction

Our unique range of single devices covering multiple applications is easily deployable as your site standard. Having one variant that applies to a broad range of applications can reduce your installation time and training, and greatly simplify spare parts management at your facilities. Our devices are designed for long-term signal accuracy, low power consumption, immunity to electrical noise and simple programming.



Isolation

Our compact, fast, high-quality 6 mm isolators are based on microprocessor technology to provide exceptional performance and EMC-immunity for dedicated applications at a very low total cost of ownership. They can be stacked both vertically and horizontally with no air gap separation between units required.



Display

Our display range is characterized by its flexibility and stability. The devices meet nearly every demand for display readout of process signals and have universal input and power supply capabilities. They provide a real-time measurement of your process value no matter the industry and are engineered to provide a user-friendly and reliable relay of information, even in demanding environments.

# Universal uni-/bipolar signal transmitter 4104

## Table of contents

Warning .....	4
Symbol identification .....	4
Safety instructions .....	4
How to demount system 4000 .....	6
When front LED flashes red or PR 4500 display shows AO.ER.....	6
Application .....	7
Mounting / installation / programming .....	7
Applications .....	8
PR 4500 display / programming front.....	9
Mounting / demounting the PR 4500 communication interfaces .....	9
Order.....	10
Accessories .....	10
Electrical specifications.....	10
4500 display readout of input 4...20 mA loop error detection and signal "outside range" .....	13
Connections .....	14
Block diagram.....	15
Configuration / operating the function keys .....	16
Routing diagram .....	18
Routing diagram, advanced settings (ADV.SET) .....	20
Help text overview .....	22
Document history .....	23

## Warning



**GENERAL**

This device is designed for connection to hazardous electric voltages. Ignoring this warning can result in severe personal injury or mechanical damage.

To avoid the risk of electric shock and fire, the safety instructions of this guide must be observed and the guidelines followed. The specifications must not be exceeded, and the device must only be applied as described in the following.

Prior to the commissioning of the device, this installation guide must be examined carefully.

Only qualified personnel (technicians) should install this device. If the equipment is used in a manner not specified by the manufacturer, the protection provided by the equipment may be impaired.

## Warning



**HAZARD-  
OUS  
VOLTAGE**

Until the device is fixed, do not connect hazardous voltages to the device. The following operations should only be carried out on a disconnected device and under ESD safe conditions:

General mounting, connection and disconnection of wires.

Troubleshooting the device.

**Repair of the device and replacement of circuit breakers must be done by PR electronics A/S only.**

## Warning



**CAUTION**

Do not open the front plate of the device as this will cause damage to the connector for the display / programming front PR 4500.

This device contains no DIP-switches or jumpers.

SYSTEM 4000 must be mounted on a DIN rail according to DIN EN 60715.

## Symbol identification



**Triangle with an exclamation mark:** Warning / demand. Potentially lethal situations. Read the manual before installation and commissioning of the device in order to avoid incidents that could lead to personal injury or mechanical damage.



**The CE mark** proves the compliance of the device with the essential requirements of the directives.



**The double insulation symbol** shows that the device is protected by double or reinforced insulation.

## Safety instructions

### Definitions

**Hazardous voltages** have been defined as the ranges: 75 to 1500 Volt DC, and 50 to 1000 Volt AC.

**Technicians** are qualified persons educated or trained to mount, operate, and also trouble-shoot technically correct and in accordance with safety regulations.

**Operators**, being familiar with the contents of this manual, adjust and operate the knobs or potentiometers during normal operation.

## Receipt and unpacking

Unpack the device without damaging it and check whether the device type corresponds to the one ordered. The packing should always follow the device until this has been permanently mounted.

## Environment

Avoid direct sun light, dust, high temperatures, mechanical vibrations and shock, and rain and heavy moisture. If necessary, heating in excess of the stated limits for ambient temperatures should be avoided by way of ventilation.

The device must be installed in pollution degree 2 or better.

The device is designed to be safe at least under an altitude up to 2 000 m.

The device is designed for indoor use.

## Mounting

Only technicians, who are familiar with the technical terms, warnings, and instructions in the manual and who are able to follow these, should connect the device. Should there be any doubt as to the correct handling of the device, please contact your local distributor or, alternatively,

**PR electronics A/S**  
**www.prelectronics.com**

Mounting and connection of the device should comply with national legislation for mounting of electric materials, i.e. wire cross section, protective fuse, and location.

Stranded wire should be installed with an insulation stripping length of 5 mm or via a suitable insulated terminal such as a bootlace ferrule.

Descriptions of input / output and supply connections are shown in the block diagram and side label.

The following apply to fixed hazardous voltages-connected devices:

The max. size of the protective fuse is 10 A and, together with a power switch, it should be easily accessible and close to the device. The power switch should be marked with a label indicating that it will switch off the voltage to the device.

Year of manufacture can be taken from the first two digits in the serial number.

## UL installation requirements

Use 60/75°C copper conductors only

For use only in pollution degree 2 or better

Max. ambient temperature . . . . . 60°C

Max. wire size. . . . . AWG 26-14

UL file number . . . . . E248256

## Calibration and adjustment

During calibration and adjustment, the measuring and connection of external voltages must be carried out according to the specifications of this manual. The technician must use tools and instruments that are safe to use.

## Normal operation

Operators are only allowed to adjust and operate devices that are safely fixed in panels, etc., thus avoiding the danger of personal injury and damage. This means there is no electrical shock hazard, and the device is easily accessible.

## Cleaning

When disconnected, the device may be cleaned with a cloth moistened with distilled water.

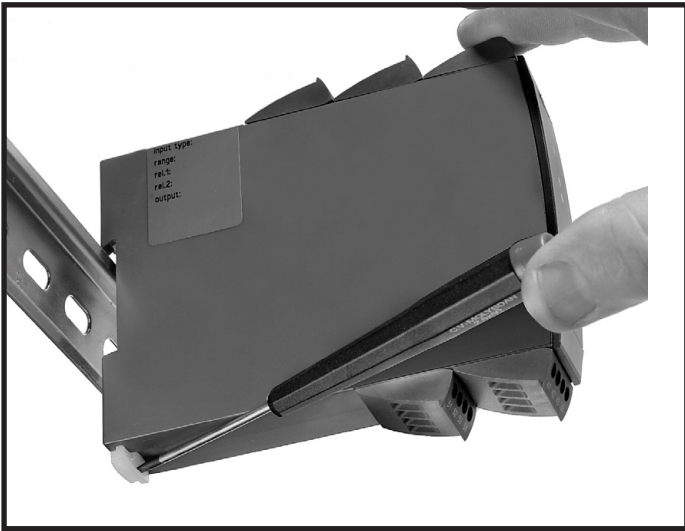
## Liability

To the extent the instructions in this manual are not strictly observed, the customer cannot advance a demand against PR electronics A/S that would otherwise exist according to the concluded sales agreement.

# How to demount system 4000

**Picture 1:**

The device is detached from the DIN rail by moving the bottom lock down.



## When front LED flashes red or PR 4500 display shows A0.ER

The 4104 is designed with a high safety level. Therefore, the device continuously measures the output current. If "S4-20" is selected during configuration, and output current drops to 0 mA, the PR 4500 display will indicate "A0.ER" and the front LED will turn red. (A 0 mA output can be caused by an open output loop). The error mode can be reset by power cycling the device or stepping through the menu.

# Universal uni-/bipolar signal transmitter

## 4104

- Measures and outputs uni-/bipolar voltage and current signals
- Works with both passive and active inputs and outputs
- Uses the PR 4500 display for programming and process monitoring
- Fast < 20 mS response time and excellent < 0.05% accuracy
- Universally powered by 21.6...253 VAC / 19.2...300 VDC

### Application

- Fast < 20 ms response time for measuring signals produced by torque, position, current & acceleration sensors.
- User configurable bipolar or unipolar I/O means the 4104 is suitable for nearly any voltage or current conversion.
- The excitation source enables measurement of two or three wire transmitters.
- The active or passive I/O makes the 4104 perfect for power matching current loops.
- Converts narrow bipolar inputs to wide bipolar or unipolar outputs, e.g.,  $\pm 1$  volt input =  $\pm 10$  volt or 4-20 mA output.
- Selectable direct or inverse I/O makes the 4104 suitable for proportional control applications.
- The "V-curve" function outputs 100% - 0 - 100% when a 0 - 100% input signal is present.

### Technical characteristics

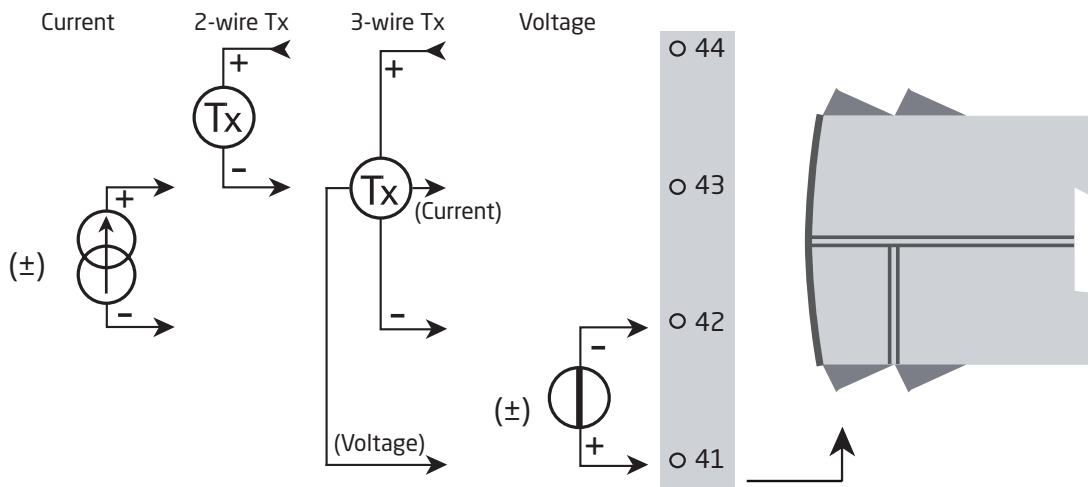
- The latest analog and digital techniques are used to obtain maximum accuracy and immunity to interference.
- The current output can drive up to 800 Ohms, with an adjustable response time of 0.0...60.0 seconds.
- Exceptional mA output load stability of < 0.001% of span/100 Ohm.
- Meets the NAMUR NE21 recommendations, ensuring high accuracy in harsh EMC environments.
- Meets the NAMUR NE43 recommendations, allowing the control system to easily detect a sensor error.
- Each unit is tested to a high 2.3 kVAC, 3-port galvanic isolation level.
- Excellent signal to noise ratio of > 60 dB.

### Mounting / installation / programming

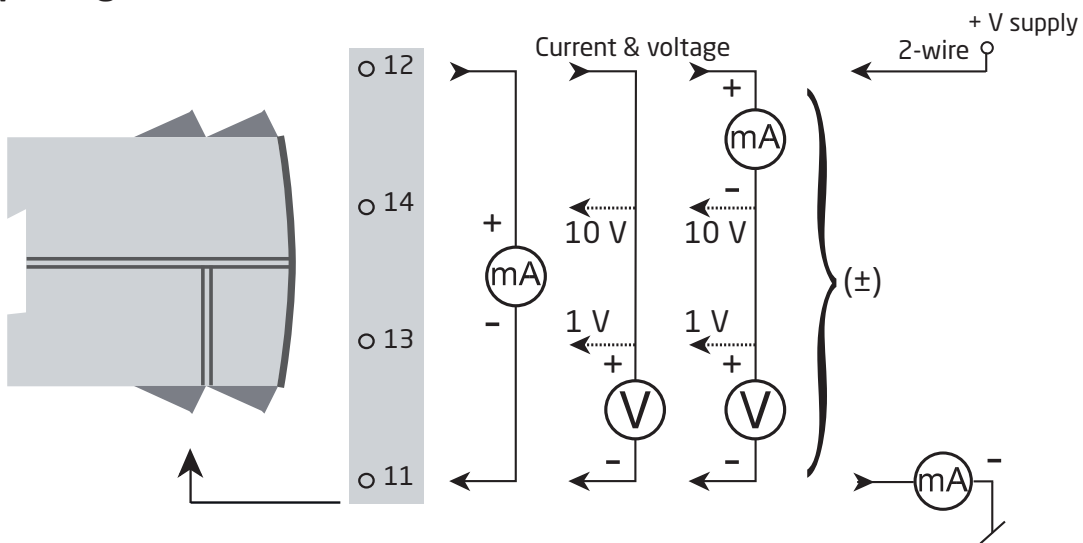
- Very low power consumption means units can be mounted side by side without an air gap - even at 60°C ambient temperature.
- Approved for marine applications.
- Configuration, monitoring, 2-point process calibration and more are accomplished using PR's PR 4500 detachable displays.
- All programming can be password protected.

# Applications

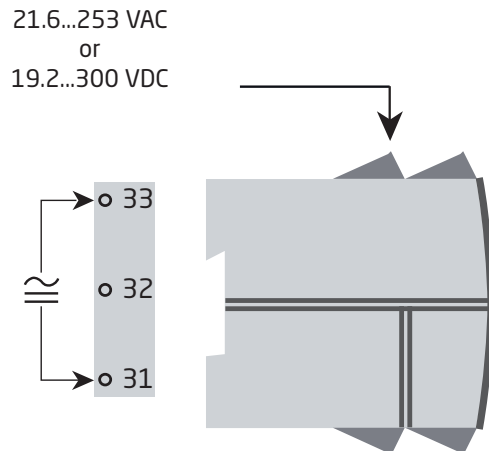
## Input signals:



## Output signals:



## Power connection:





# PR 4500 display / programming front



## Functionality

The simple and easily understandable menu structure and the explanatory help texts guide you effortlessly and automatically through the configuration steps, thus making the product very easy to use. Functions and configuration options are described in the section "Configuration / operating the function keys".

## Application

- Communications interface for modification of operational parameters in 4104.
- Can be moved from one 4104 device to another and download the configuration of the first unit to subsequent units.
- When mounted in the process, the display shows process values and device status.



## Technical characteristics

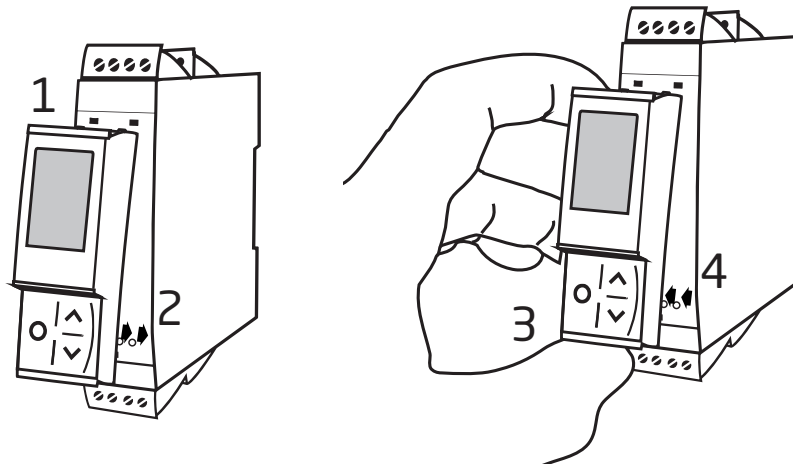
- LCD display with 4 lines:
  - Line 1 (H=5.57 mm) shows the scaled process value - OK or error.
  - Line 2 (H=3.33 mm) shows the selected engineering unit.
  - Line 3 (H=3.33 mm) shows analog output or TAG no.
  - Line 4 shows status for communication and signal trending.
- Programming access can be blocked by assigning a password. The password is saved in the device in order to ensure a high degree of protection against unauthorized modifications to the configuration.

## Mounting / demounting the PR 4500 communication interfaces

- 1: Insert the tabs of the PR 4500 into the slots at the top of the device.
- 2: Hinge the PR 4500 down until it snaps into place.

Demounting of the PR 4500 communication interfaces

- 3: Push the release button on the bottom of the PR 4500 and hinge the PR 4500 out and up.
- 4: With the PR 4500 hinged up, remove from the slots at the top of the device.



## Order

**4104 = Universal uni-/bipolar signal transmitter**

## Accessories

**4510 = Display / programming front**

**4511 = Modbus communication enabler**

**4512 = Bluetooth communication enabler**

## Electrical specifications

### Environmental conditions

Operating temperature . . . . .	-20°C to +60°C
Storage temperature . . . . .	-20°C to +85°C
Calibration temperature. . . . .	20...28°C
Relative humidity . . . . .	< 95% RH (non-cond.)
Protection degree . . . . .	IP20
Installation in pollution degree 2 & measurement / overvoltage category II.	

### Mechanical specifications

Dimensions (HxWxD) . . . . .	109 x 23.5 x 104 mm
Dimensions (HxWxD) w/ 4501 / 451x . . . . .	109 x 23.5 x 116 / 131 mm
Weight approx. . . . .	155 g
DIN rail type. . . . .	DIN EN 60715 - 35 mm
Wire size. . . . .	0.13...2.08 mm <sup>2</sup> / AWG 26...14 stranded wire
Screw terminal torque. . . . .	0.5 Nm
Vibration. . . . .	IEC 60068-2-6
2...13.2 Hz . . . . .	±1 mm
13.2...100 Hz. . . . .	±0.7 g

### Common electrical specifications

Supply voltage, universal. . . . .	21.6...253 VAC, 50...60 Hz or 19.2...300 VDC
Max. required power . . . . .	≤ 2.5 W
Max. power dissipation . . . . .	≤ 2.5 W
Isolation voltage - test / working . . . . .	2.3 kVAC / 250 VAC
Programming . . . . .	PR 4500 communication interfaces
Signal dynamics, input / output . . . . .	20 bit / 18 bit
Signal / noise ratio. . . . .	> 60 dB
Bandwidth (3 dB) . . . . .	> 40 Hz
Response time (0...90%, 100...10%) . . . . .	< 20 ms

### Auxiliary supplies

2-wire loop supply (terminal 43, 44). . . . .	> 16 V @ 20 mA
3-wire loop supply (terminal 42, 44). . . . .	> 18 V @ 20 mA
Loop supply limitation (terminal 44, nom.). . . . .	30 mA

Accuracy values		
Input type	Absolute accuracy	Temperature coefficient
All	≤ ±0.05% of span	≤ ±0.01% of span / °C

EMC - immunity influence. . . . .	< ±0.5% of span
Extended EMC immunity: NAMUR NE 21, A criterion, burst . . . . .	< ±1% of span

of span = of selected range

## Input specifications

### Current input

Signal range. . . . .	±23 mA
Programmable measurement ranges . . . . .	0...20, 4...20, ±10, ±20 mA
Input voltage drop, nom. . . . .	1.4 V @ 20 mA
Loop error detection, 4...20 mA:	
Low detection . . . . .	< 3.6 mA
High detection . . . . .	> 21 mA

### Voltage input

Signal range. . . . .	±12 VDC
Programmable measurement ranges . . . . .	0...1, 0.2...1, 0...5, 1...5, 0...10, 2...10 V, ±1, ±5 and ±10V
Input resistance, nom.. . . . .	2 MΩ

## Current output specifications

### Active unipolar and bipolar mA

Programmable ranges . . . . .	0-20, 4-20, ±10 and ±20 mA
	Direct or Inverted action
V-curve function, 100-0-100% . . . . .	20-0-20 mA
Load, max.. . . . .	800 Ω

### Passive 2-wire mA

Programmable ranges . . . . .	0...20 and 4...20 mA
	Direct or Inverted action
V-curve function, 100-0-100% . . . . .	20-0-20 mA
External 2-wire loop supply . . . . .	3.5...26 V

### Common specifications current output

Signal range. . . . .	0...23 mA (unipolar) / -23...+23 mA (bipolar)
Current limit. . . . .	≤ 28 mA (unipolar) / ±28 mA (bipolar)
Load stability . . . . .	≤ 0.001% of span / 100 Ω
Response time, programmable. . . . .	0.0...60.0 s
Output limitation at outside range:	
on 4...20 and 20...4 mA signals . . . . .	3.8...20.5 mA
on other unipolar signals . . . . .	0 and 115% of max. value
on bipolar signals . . . . .	±115% of min. and max. values
Sensor error indication, at 4...20 mA input:	
selectable. . . . .	Low, High, Zero or None

Low - corresponds to 0 mA at 0...20 mA and to 3.5 mA at 4...20 mA

High - corresponds to 23 mA at both 0...20 and 4...20 mA

Zero - equals 0 mA output

None - the output state is undefined

### Voltage output specifications

Programmable ranges . . . . .	0/0.2...1, 0/1...5, 0/2...10, ±1, ±5 and ±10 V
	Direct or Inverted action
V-curve function, 100-0-100% . . . . .	1-0-1 V, 5-0-5 V and 10-0-10 V
Load, min. . . . .	> 500 kΩ
Response time, programmable. . . . .	0.0...60.0 s
Output limitation at outside range:	
on unipolar signals starting from 0 . . . . .	0 and 115% of max. value
on unipolar signals with offset . . . . .	-5% of min. value and 115% of max. value
on bipolar signals . . . . .	±115% of min. and max. values
Sensor error indication, at 4...20 mA input:	
selectable. . . . .	Low, High, Zero or None

Low - corresponds to the selected min range value

High - corresponds to the selected max range value

Zero - equals 0 V output

None - the output state is undefined

**Observed authority requirements**

EMC . . . . .	2014/30/EU & UK SI 2016/1091
LVD . . . . .	2014/35/EU & UK SI 2016/1101
RoHS . . . . .	2011/65/EU & UK SI 2012/3032
EAC . . . . .	TR-CU 020/2011

**Approvals**

c UL us, UL 508. . . . .	E248256
FM . . . . .	3025177
DNV-GL . . . . .	TAA0000101

## 4500 display readout of input 4...20 mA loop error detection and signal "outside range"


Input loop error check:		
Device:	Configuration	Input loop error detection
4104	OUT.ERR=NONE.	OFF
	OUT.ERR=DOWN, UP and ZERO	ON

Input loop error detection - readout (LO.ER):			
Input	Range	Readout	Limit
CURR	4...20 mA	LO.ER	<= 3.6 mA; > = 21 mA

Input "outside range" limits - readout (IN.LO, IN.HI):			
Input	Range	Readout	Limit
CURR	All - unipolar and bipolar	IN.LO	< -23 mA
		IN.HI	> 23 mA
VOLT	All - unipolar and bipolar	IN.LO	< -12 V
		IN.HI	> 12 V

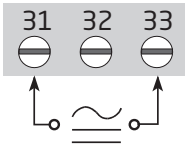
Display readout below min. / above max. (-1999, 9999):			
Input	Range	Readout	Limit
All	All	-1999	Display readout <-1999
		9999	Display readout >9999

Readout at hardware error		
Error search	Readout	Cause
Check measurement of analog output	AO.ER	No load on the current output (only S4...20 mA)*
Communications test between 4500 and 4104	NO.CO	Connection error
Hardware error	FL.ER	Error in FLASH**
Configuration error	CO.ER	Error in FLASH**
Check that saved configuration in 4500 matches device	TY.ER	Invalid type or rev. no.
Hardware error	AO.SU	Analog output supply error*
Hardware error	RA.ER	RAM error*
Hardware error	EE.ER	EEPROM error*
Hardware error	AD.ER	A/D converter error*
Hardware error	IF.ER	Flash check sum error*

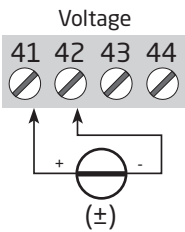
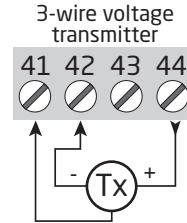
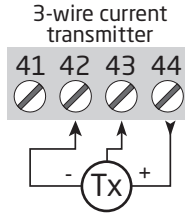
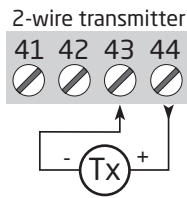
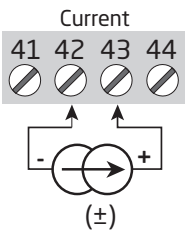
!	All error indications in the display flash once per second. The help text explains the error. If the error is an input loop error, the display backlight flashes as well - this is acknowledged (stopped) by pushing the  button.
*	Error is acknowledged by either stepping through the basic setup, or by resetting the device power. Some types of errors can only be acknowledged by resetting the device power.
**	Error is acknowledged by stepping through the basic setup.

# Connections

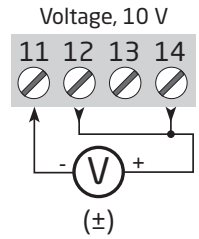
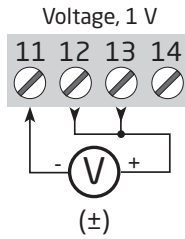
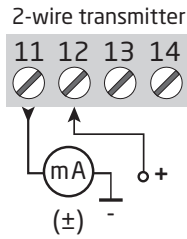
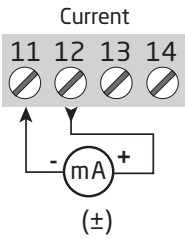
## Supply



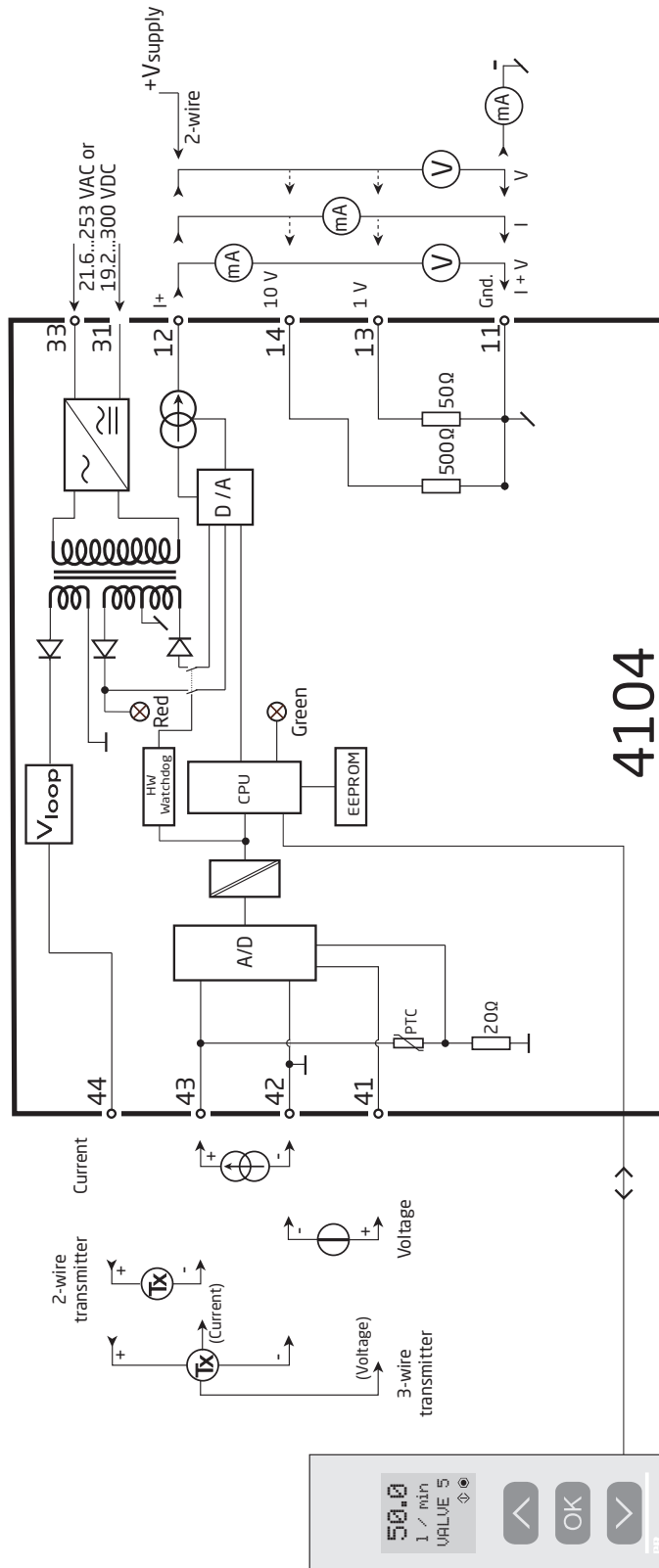
## Inputs:



## Outputs:



# Block diagram



# Configuration / operating the function keys

Documentation for routing diagram.

## In general

When configuring the 4104, you will be guided through all parameters and you can choose the settings which fit the application. For each menu there is a scrolling help text which is automatically shown in line 3 on the display.

Configuration is carried out by use of the 3 function keys:

- ⏪ will increase the numerical value or choose the next parameter
- ⏩ will decrease the numerical value or choose the previous parameter
- ⏹ will save the chosen value and proceed to the next menu

When configuration is completed, the display will return to the default state 1.0. Pressing and holding ⏹ will return to the previous menu or return to the default state (1.0) without saving the changed values or parameters.

If no key is activated for 1 minute, the display will return to the default state (1.0) without saving the changed values or parameters.

## Further explanations

**Password protection:** Programming access can be blocked by assigning a password. The password is saved in the device in order to ensure a high degree of protection against unauthorised modifications to the configuration. If the configured password is not known, please contact PR electronics support - [www.prelectronics.com/contact](http://www.prelectronics.com/contact).

### Signal and loop error info via display front PR 4500

Input loop error at 4-20 mA signal is displayed as LO.ER (see table page 13). Input signals outside the selected range are displayed as IN.LO indicating low input signal or IN.HI indicating high input signal (see table page 13). Error indication is displayed in line 1 as text and at the same time the backlight flashes. A flashing bullet in line 4 is indicating correct functioning of PR 4500.

### Signal and sensor error indication without display front

Status of the unit can also be read from the red/green LED in the front of the device.

Green flashing LED 13 Hz indicates normal operation.

Green flashing LED 1 Hz indicates loop error.

Steady green LED indicates internal error.

Steady red LED indicates fatal error.

## Advanced functions

The unit gives access to a number of advanced functions which can be reached by answering "Yes" to the point "ADV.SET".

**Memory (MEM):** In the memory menu you can save the configuration of the device in the PR 4500, and then move the PR 4500 onto another device of the same type and download the configuration in the new device.

**Display setup (DISP):** Here you can adjust the brightness contrast and the backlight. Setup of TAG numbers with 6 alphanumeric. Selection of functional readout in line 3 of the display - choose between readout of analog output or tag no.

**Two-point process calibration (CAL):** The device can be process-calibrated in 2 points to fit a given input signal. A low input signal (not necessarily 0%) is applied and the actual value is entered via PR 4500. Then a high signal (not necessarily 100%) is applied and the actual value is entered via PR 4500. If you accept to use the calibration, the device will work according to this new adjustment. If you later reject this menu point or choose another type of input signal the device will return to factory calibration.

**Process simulation function (SIM):** In the menu point "EN.SIM" it is possible to simulate an input signal by means of the arrow keys and thus control the output signal up or down. You must exit the menu by pressing ⏹ (no time-out). The simulation function exits automatically, if the PR 4500 is detached.

**Password (PASS):** Here you can choose a password between 0000 and 9999 in order to protect the unit against unauthorised modifications to the configuration. The unit is delivered default without password.



**Language (LANG):** In the menu "LANG" you can choose between 7 different language versions of help texts that will appear in the menu. You can choose between UK, DE, FR, IT, ES, SE and DK.

**Output function (OFUN):** Here the output characteristics can be set to either Direct (DIR) or Inverted (INV) function. Output type and range are set in the normal programming menu. If the selected output range is starting at zero, V-curved output function (VFUN) can also be selected. The output characteristics will then be 100-0-100% on the basis of a linear 0-100% input signal.

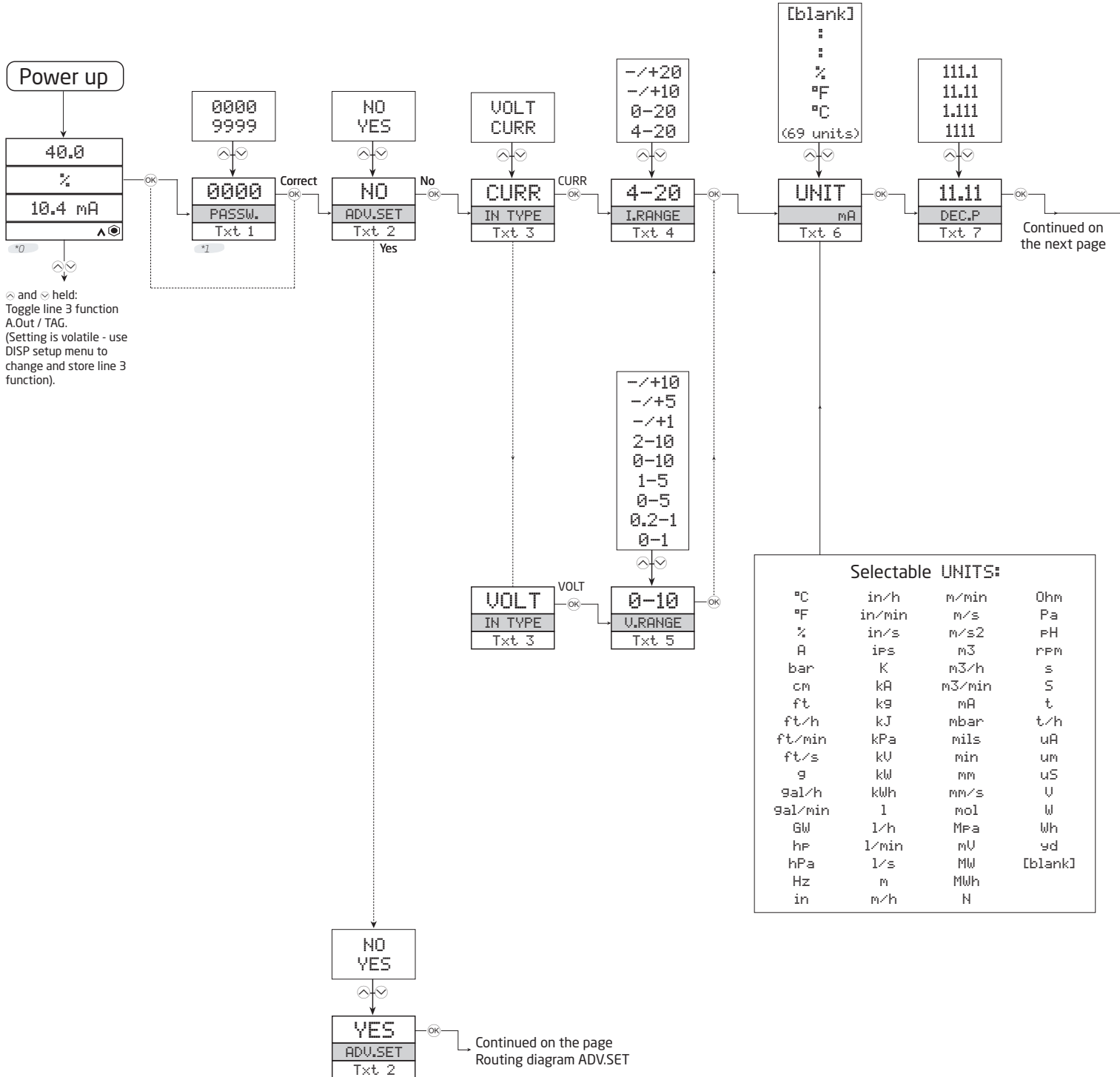
### **Auto diagnostics**

The device performs an advanced auto diagnosis of the internal circuits - check tables on page 13.

# Routing diagram

If no key is activated for 1 minute, the display will return to the default state 1.0 without saving configuration changes.

- ⬆ Increase value / choose next parameter
- ⬇ Decrease value / choose previous parameter
- Ⓚ Save the chosen value and proceed to the next menu
- Ⓚ Hold Ⓚ Back to previous menu / return to menu 1.0 without saving.

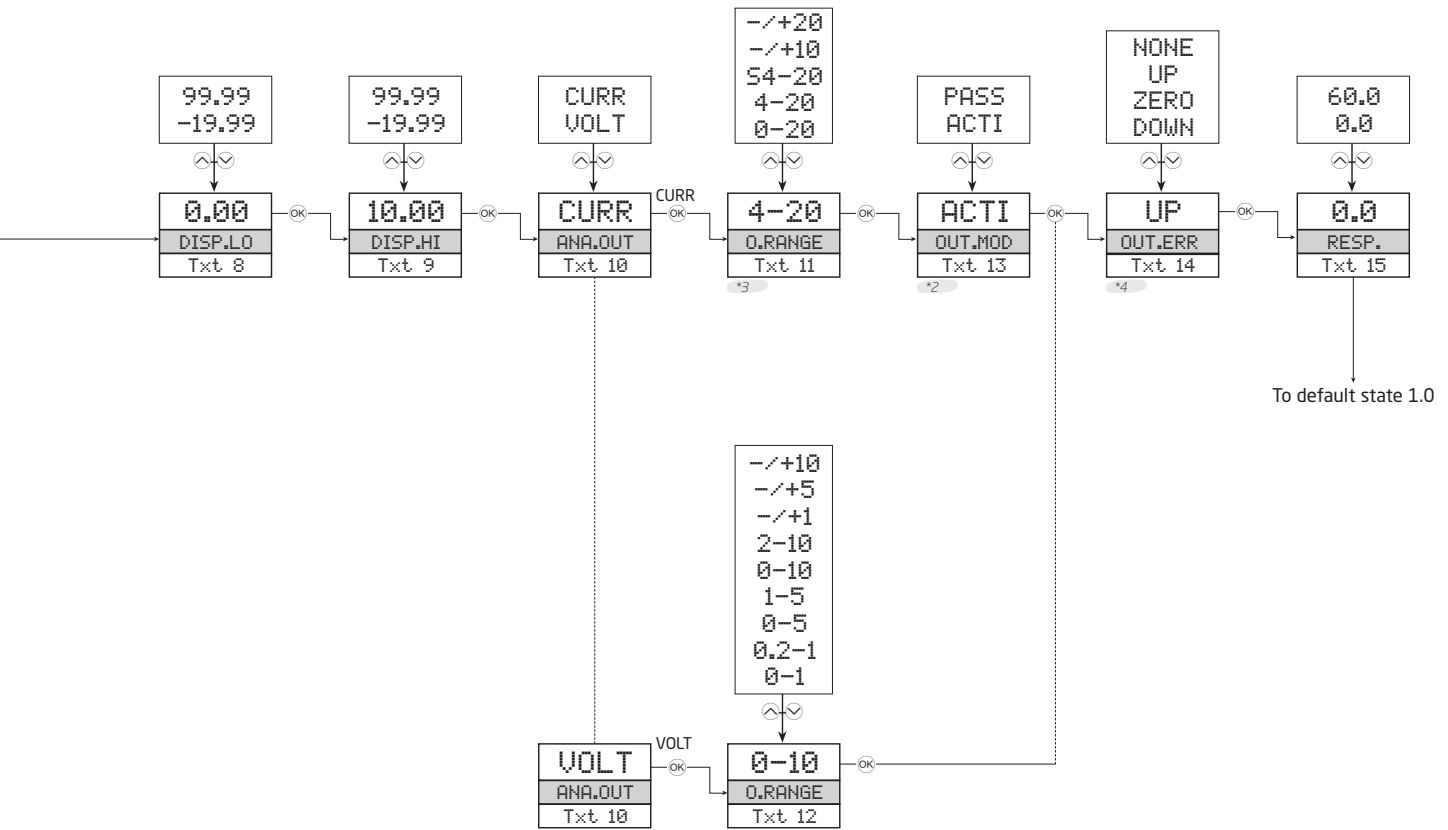


Selectable UNITS:

°C	in/h	m/min	Ohm
°F	in/min	m/s	Pa
%	in/s	m/s <sup>2</sup>	PH
A	ips	m <sup>3</sup>	rPM
bar	K	m <sup>3</sup> /h	s
cm	kA	m <sup>3</sup> /min	S
ft	kg	mA	t
ft/h	kJ	mbar	t/h
ft/min	kPa	mils	uA
ft/s	kV	min	um
g	kW	mm	uS
gal/h	kWh	mm/s	V
gal/min	l	mol	W
GW	l/h	Mpa	Wh
hp	l/min	mV	yd
hPa	l/s	MW	[blank]
Hz	m	MWh	
in	m/h	N	

\*0 Default state.  
Line 1 shows the scaled process value - OK or error.  
Line 2 shows the selected engineering unit.  
Line 3 shows analogue output or TAG no.  
Line 4 shows status for communication and signal trending.

\*1 Only displayed if password is enabled.

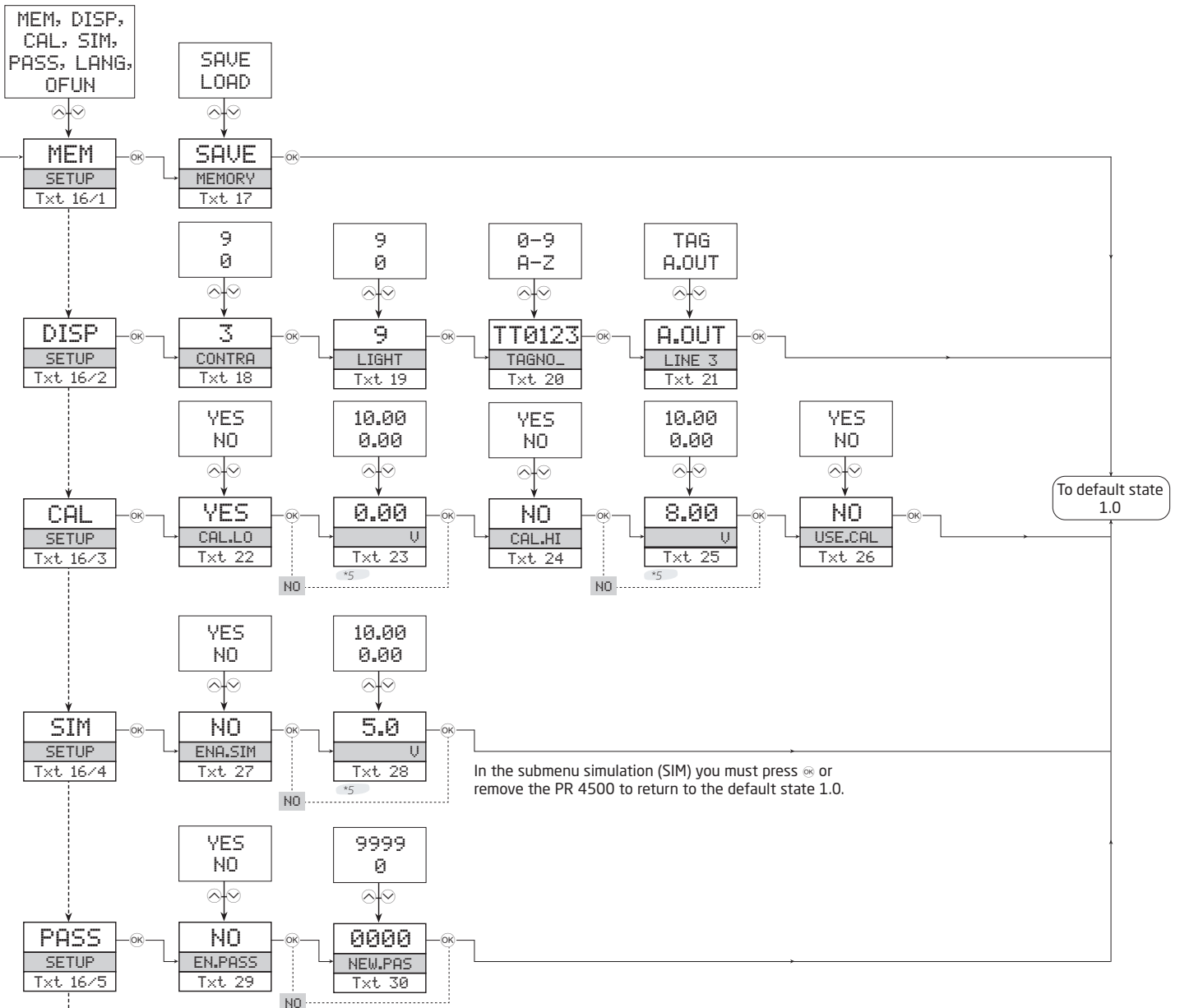


\*2 Menu not displayed if a Bipolar Output Range is selected.

\*3 Direct or Inverted output characteristics must be set in the ADV setting OFUN menu. Only ranges starting at zero are available for OFUN = V.FUNC - refer to \*6.

\*4 Menu only displayed if input type supports sensor error check.

# Routing diagram, advanced settings (ADV.SET)



In the submenu simulation (SIM) you must press OK or remove the PR 4500 to return to the default state 1.0.

Continued on the next page

\*5 Selectable range as defined by DEC.P, DISP.LO and DISP.HI.



\*6 VFUN (V-shaped output function) is only available when an output range starting at zero is selected. DIR (direct) and INV (inverted) output can be combined with all selectable output ranges.

## Help text overview

- [1] Set correct password
- [2] Enter advanced setup menu?
- [3] Select current input  
Select voltage input
- [4] Select 0..20 mA input range  
Select 4..20 mA input range  
Select -10..10 mA input range  
Select -20..20 mA input range
- [5] Select 0.0..1 V input range  
Select 0.2..1 V input range  
Select 0..5 V input range  
Select 1..5 V input range  
Select 0..10 V input range  
Select 2..10 V input range  
Select -1..1 V input range  
Select -5..5 V input range  
Select -10..10 V input range
- [6] Select display unit
- [7] Select decimal point position
- [8] Set display range low
- [9] Set display range high
- [10] Select current as analog output type  
Select voltage as analog output type
- [11] Select 0...20 mA output range  
Select 4...20 mA output range  
Select 4...20 mA with safety readback  
Select -10...10 mA output range  
Select -20...20 mA output range
- [12] Select 0.0...1 V output range  
Select 0.2...1 V output range  
Select 0...5 V output range  
Select 1...5 V output range  
Select 0...10 V output range  
Select 2...10 V output range  
Select -1...1 V output range  
Select -5...5 V output range  
Select -10...10 V output range
- [13] Select active output mode  
Select passive output mode
- [14] Select no error action - output undefined at error  
Select downscale at error  
Select zero output at error  
Select upscale at error
- [15] Set Analog output response time in seconds
- [16] Select Analog output function  
Enter Language setup  
Enter Password setup  
Enter Simulation mode  
Perform Process calibration  
Enter Display setup  
Perform Memory operations
- [17] Load saved configuration into module  
Save configuration in display front
- [18] Adjust LCD contrast
- [19] Adjust LCD backlight
- [20] Write a 6-character device TAG
- [21] Analog output value is shown in display line 3  
Device TAG is shown in display line 3
- [22] Calibrate Input low to process value?
- [23] Set value for low calibration point
- [24] Calibrate Input high to process value?
- [25] Set value for high calibration point
- [26] Use process calibration values
- [27] Enable simulation mode?
- [28] Set the input simulation value
- [29] Enable password protection?
- [30] Set new password
- [31] Select language
- [32] Select direct output mode  
Select inverted output mode  
Select V-function output mode
- [33] Display underrange
- [34] Display overrange
- [35] Input underrange
- [36] Input overrange
- [37] Analog output supply error
- [38] Analog output error  
- check output connections and reset power
- [39] Configuration error  
- default configuration is loaded
- [40] RAM memory error
- [41] EEPROM memory error
- [42] A/D converter error
- [43] No communication
- [44] Loop error
- [45] Invalid configuration type or version
- [46] External flash error
- [47] Internal flash error

## Document history

The following list provides notes concerning revisions of this document.

<b>Rev. ID</b>	<b>Date</b>	<b>Notes</b>
100	1240	Initial release of the product.
101	1302	DNV marine approval added.
102	1949	EAC approval added. Connection drawing and block diagram updated (input).
103	2135	UKCA added.

# We are near you, *all over the world*

**Our trusted red boxes are supported wherever you are**

All our devices are backed by expert service and a 5-year warranty. With each product you purchase, you receive personal technical support and guidance, day-to-day delivery, repair without charge within the warranty period and easily accessible documentation.

We are headquartered in Denmark, and have offices and authorized partners the world over. We are a local

business with a global reach. This means that we are always nearby and know your local markets well. We are committed to your satisfaction and provide **PERFORMANCE MADE SMARTER** all around the world.

For more information on our warranty program, or to meet with a sales representative in your region, visit [prelectronics.com](http://prelectronics.com).



# Benefit today from *PERFORMANCE MADE SMARTER*

PR electronics is the leading technology company specialized in making industrial process control safer, more reliable and more efficient. Since 1974, we have been dedicated to perfecting our core competence of innovating high precision technology with low power consumption. This dedication continues to set new standards for products communicating, monitoring and connecting our customers' process measurement points to their process control systems.

Our innovative, patented technologies are derived from our extensive R&D facilities and from having a great understanding of our customers' needs and processes. We are guided by principles of simplicity, focus, courage and excellence, enabling some of the world's greatest companies to achieve PERFORMANCE MADE SMARTER.